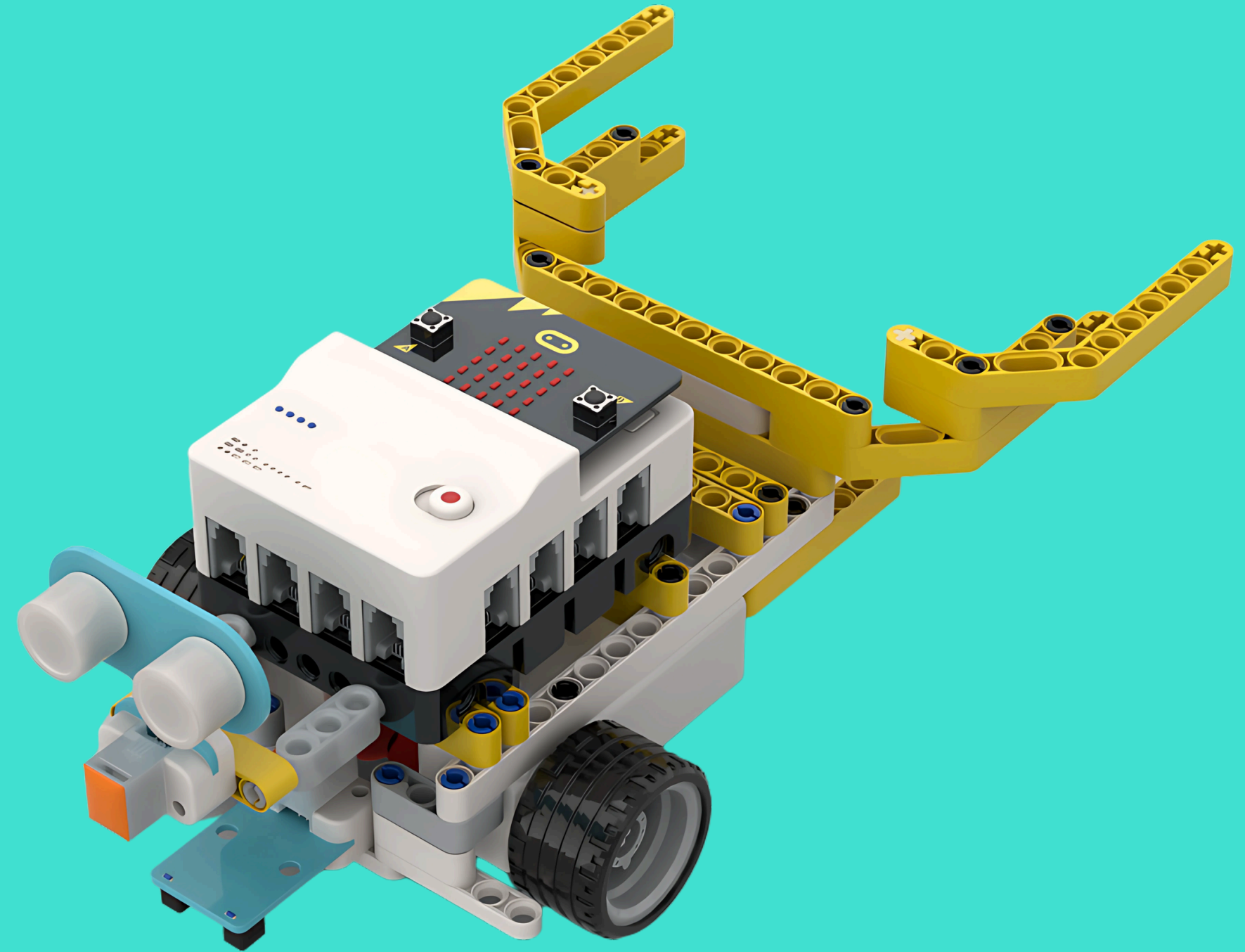
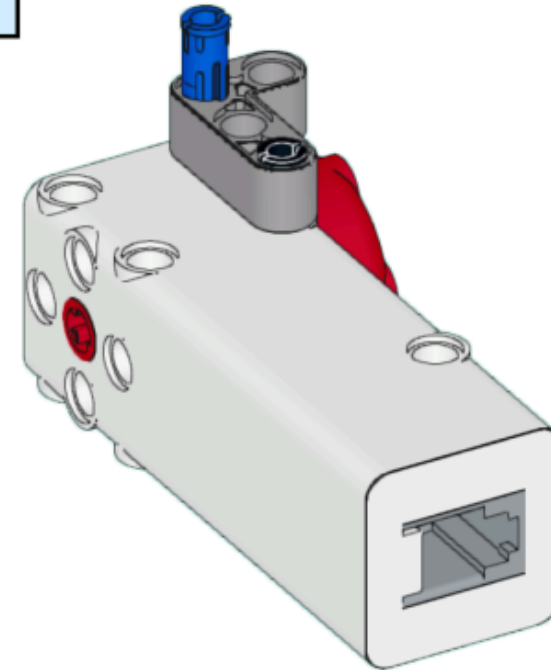
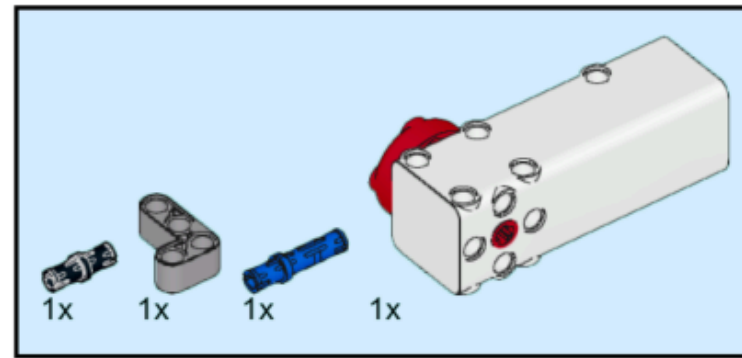


# Space Science Kit ASSEMBLY

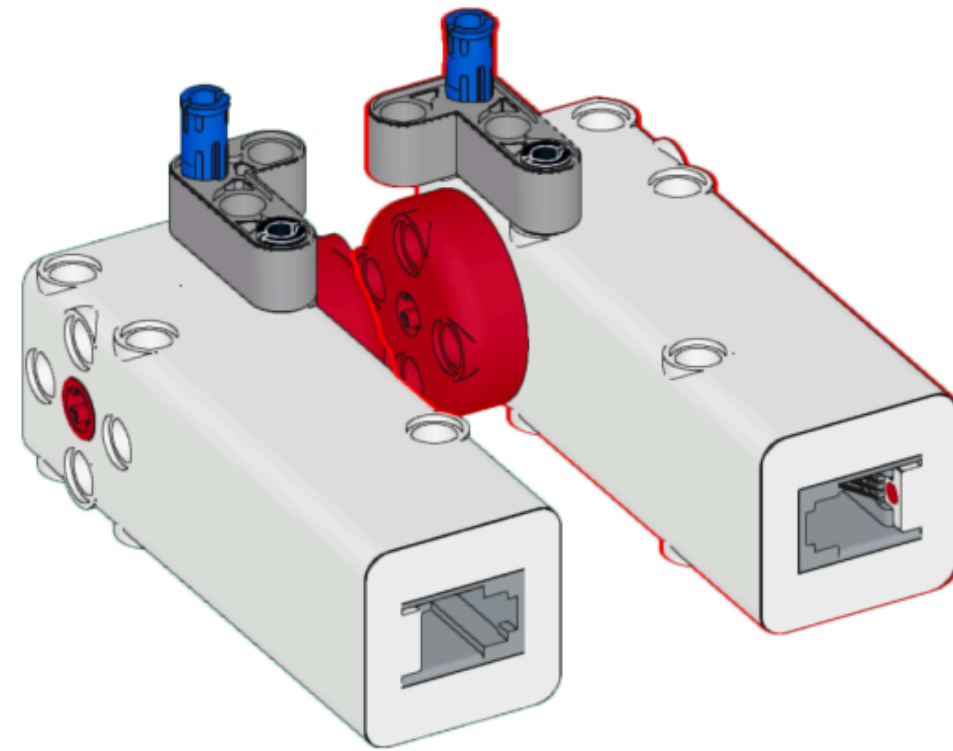
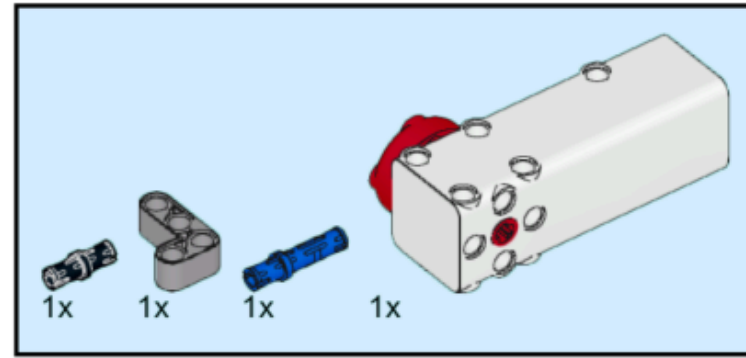
Case 2:  
Moon Landing Rocket



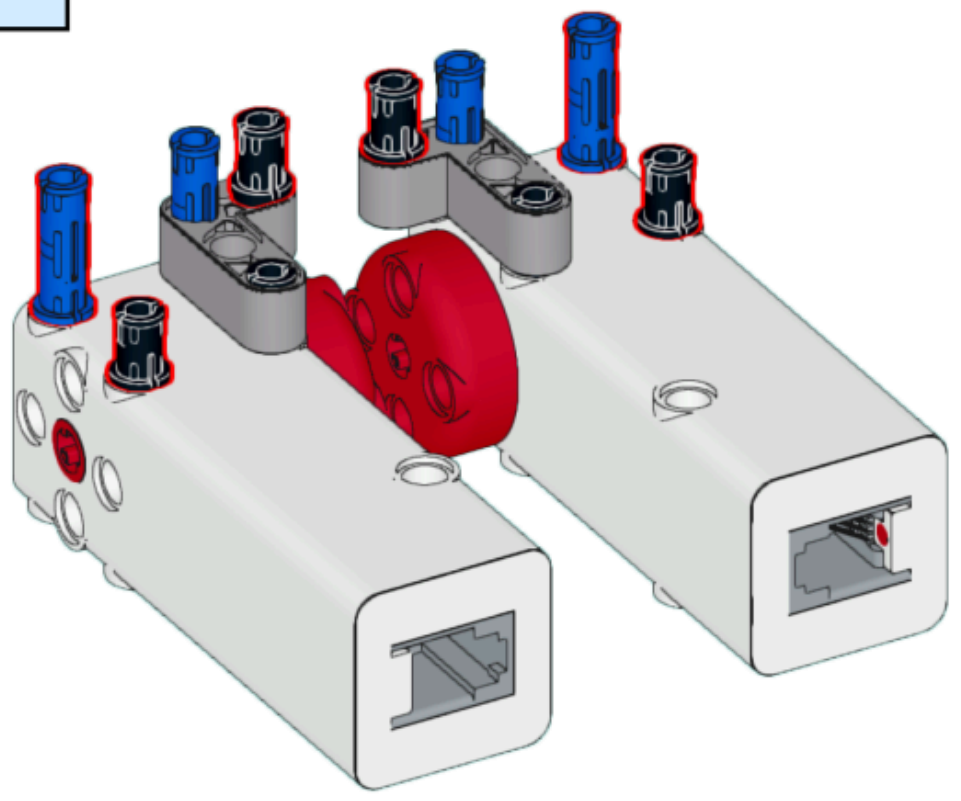
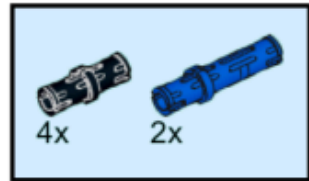
1



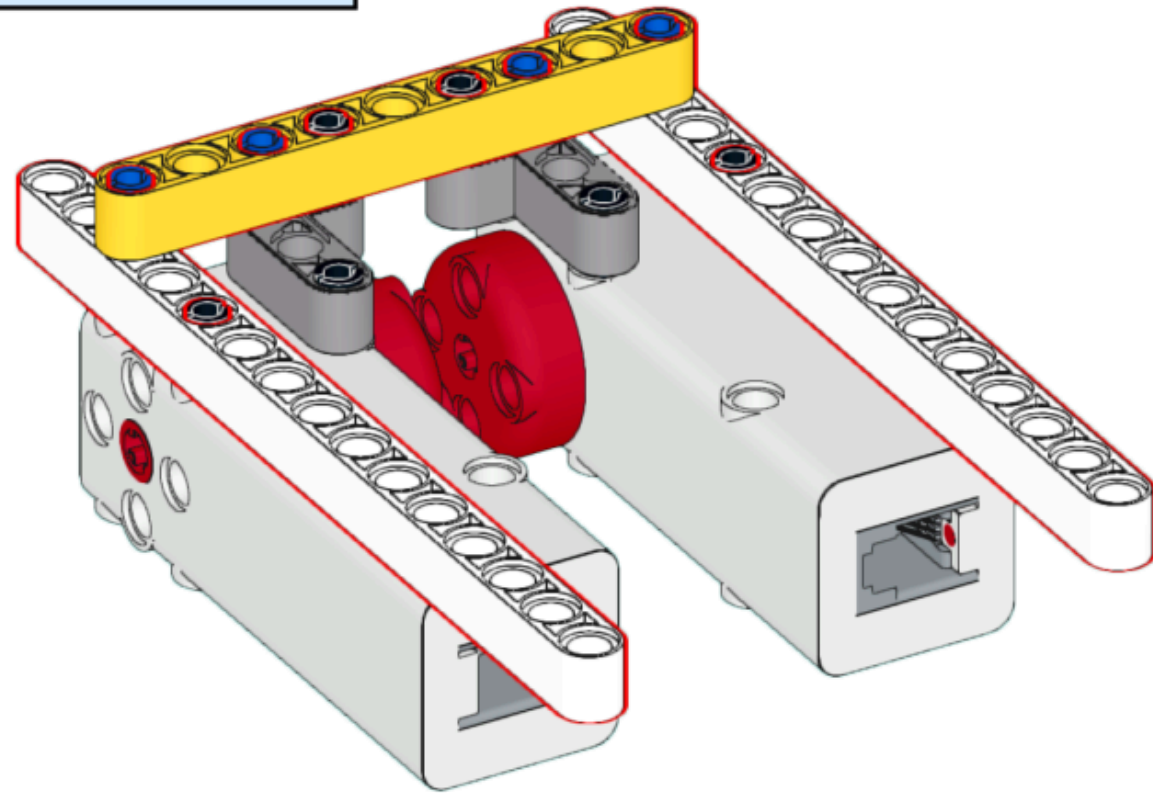
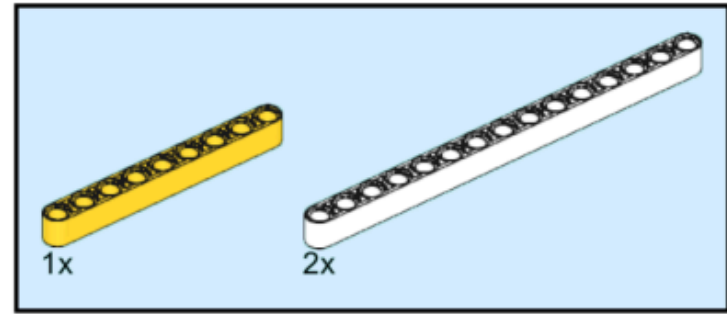
2



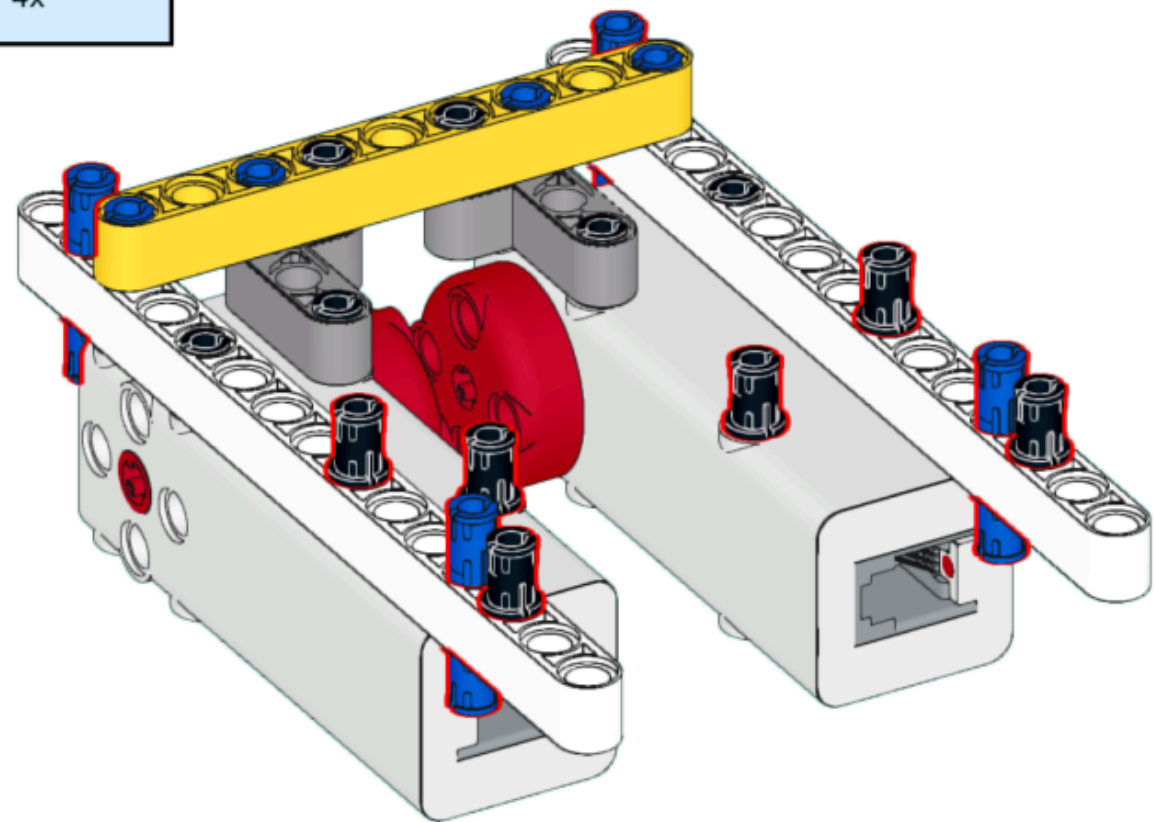
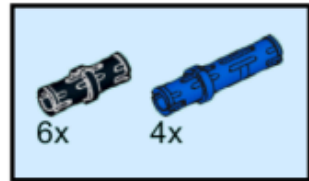
3



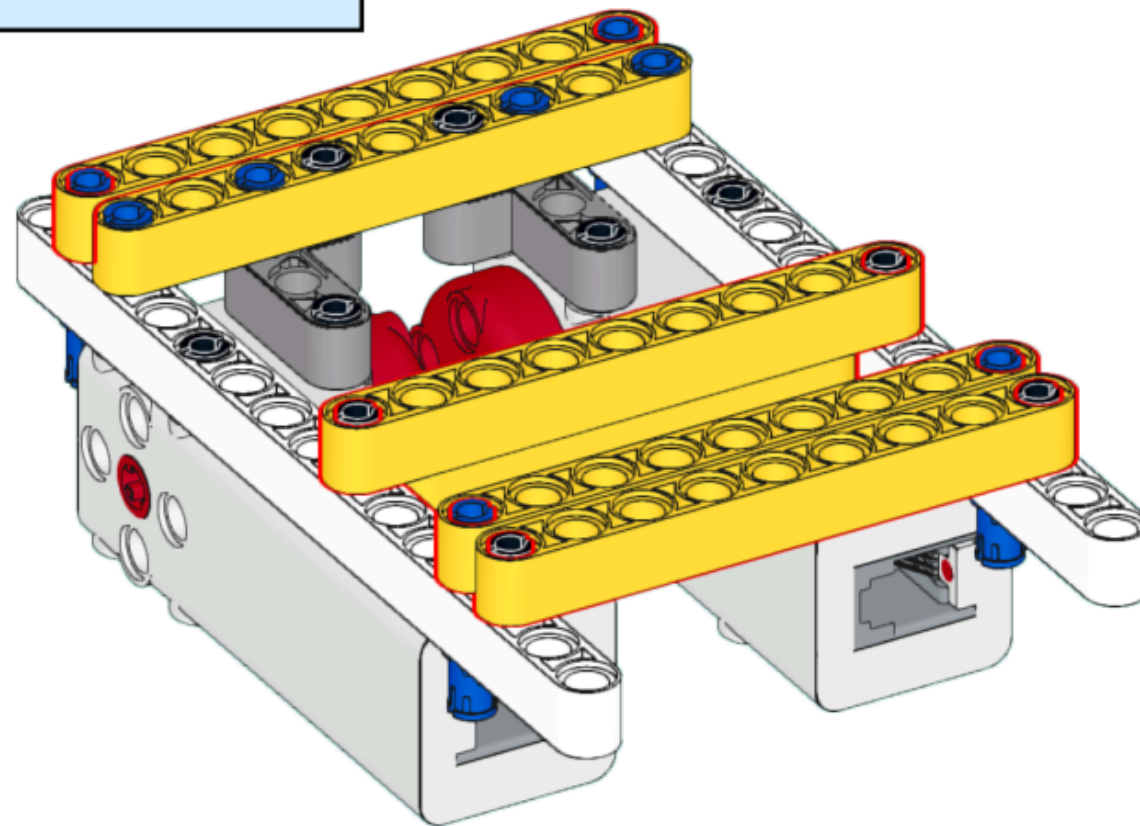
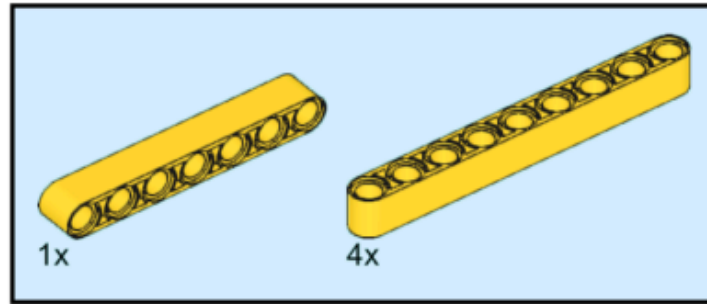
4



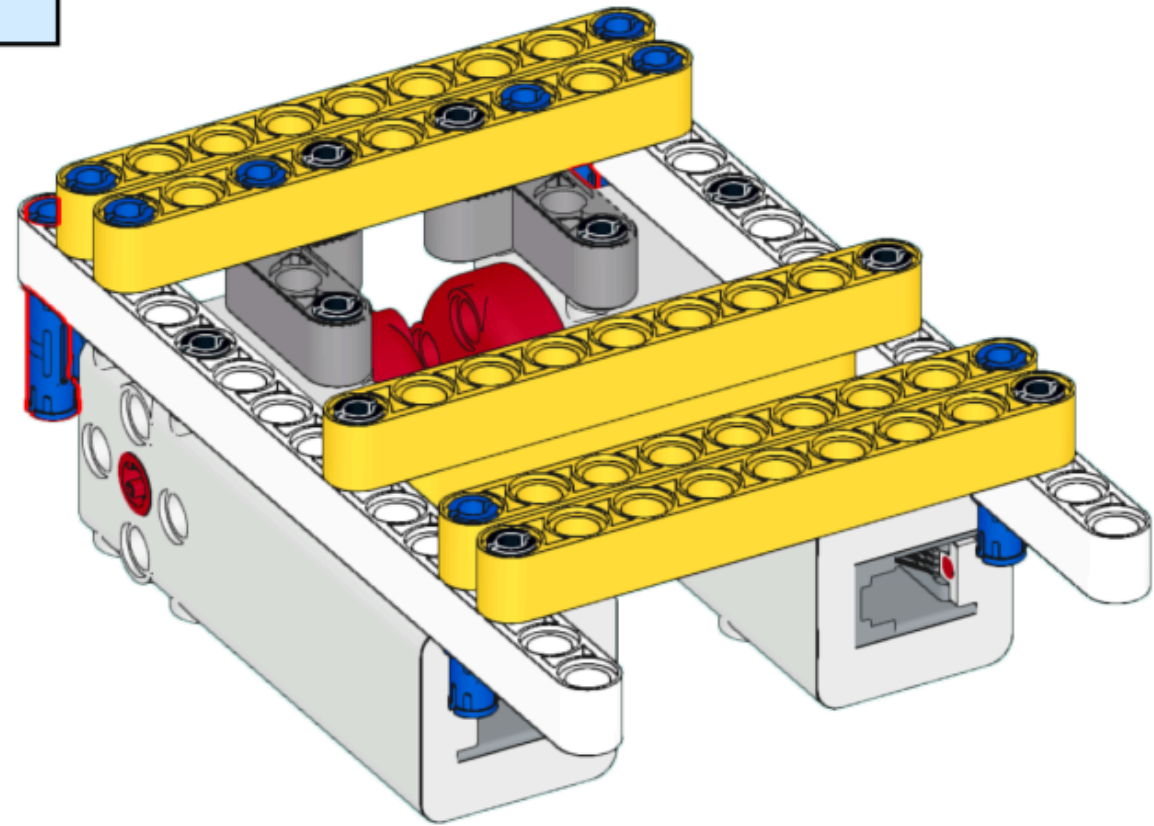
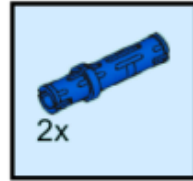
5



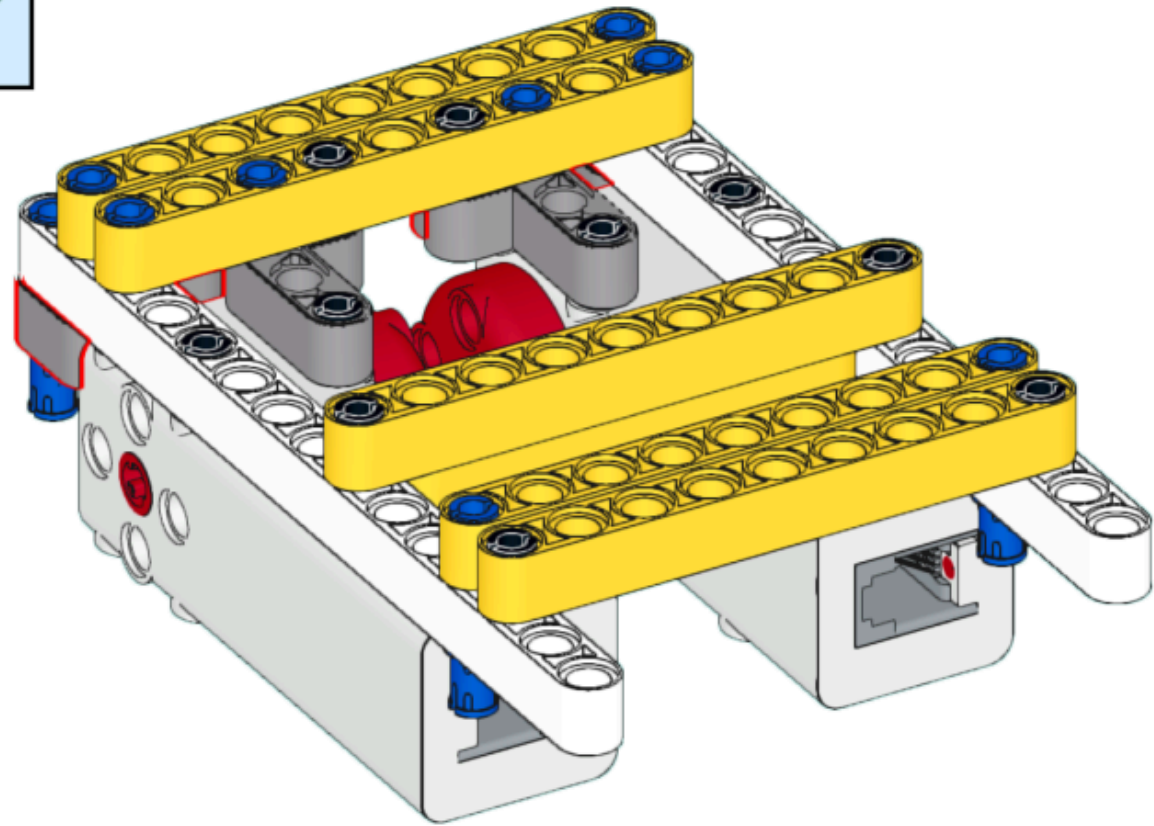
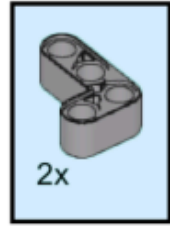
6



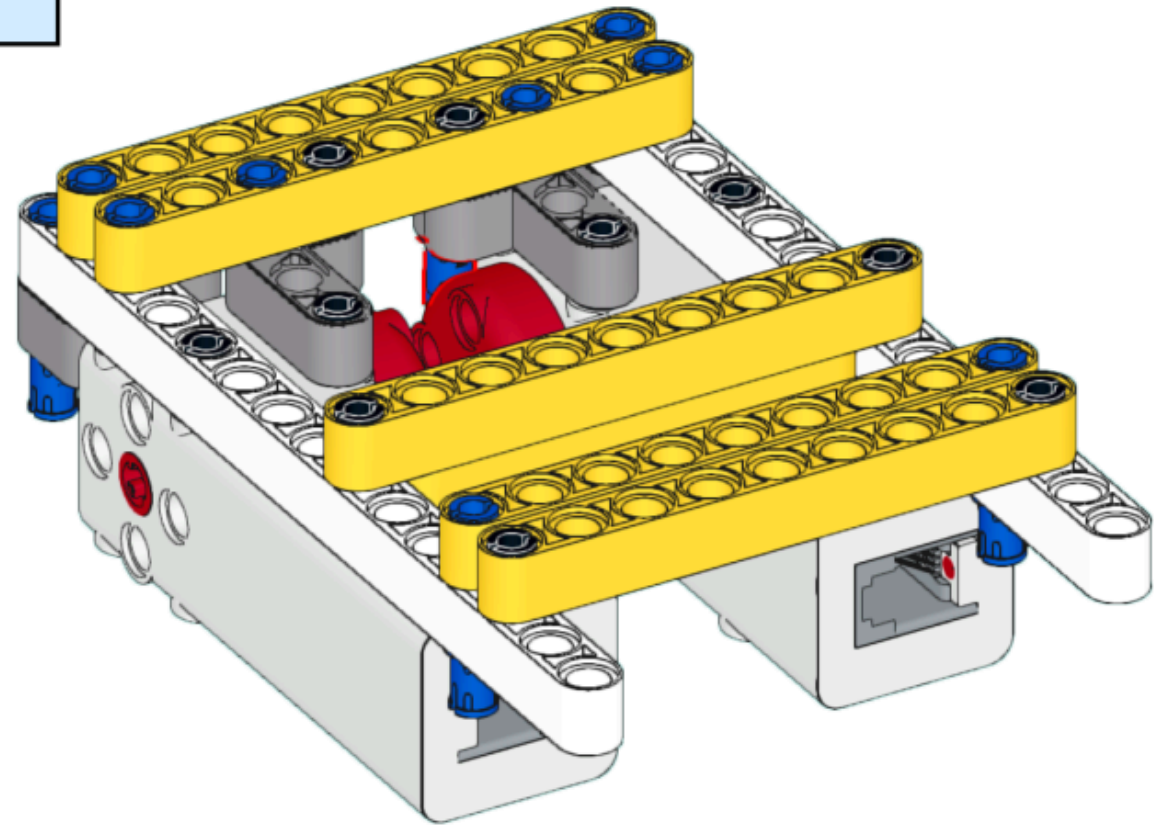
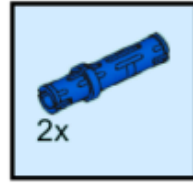
7



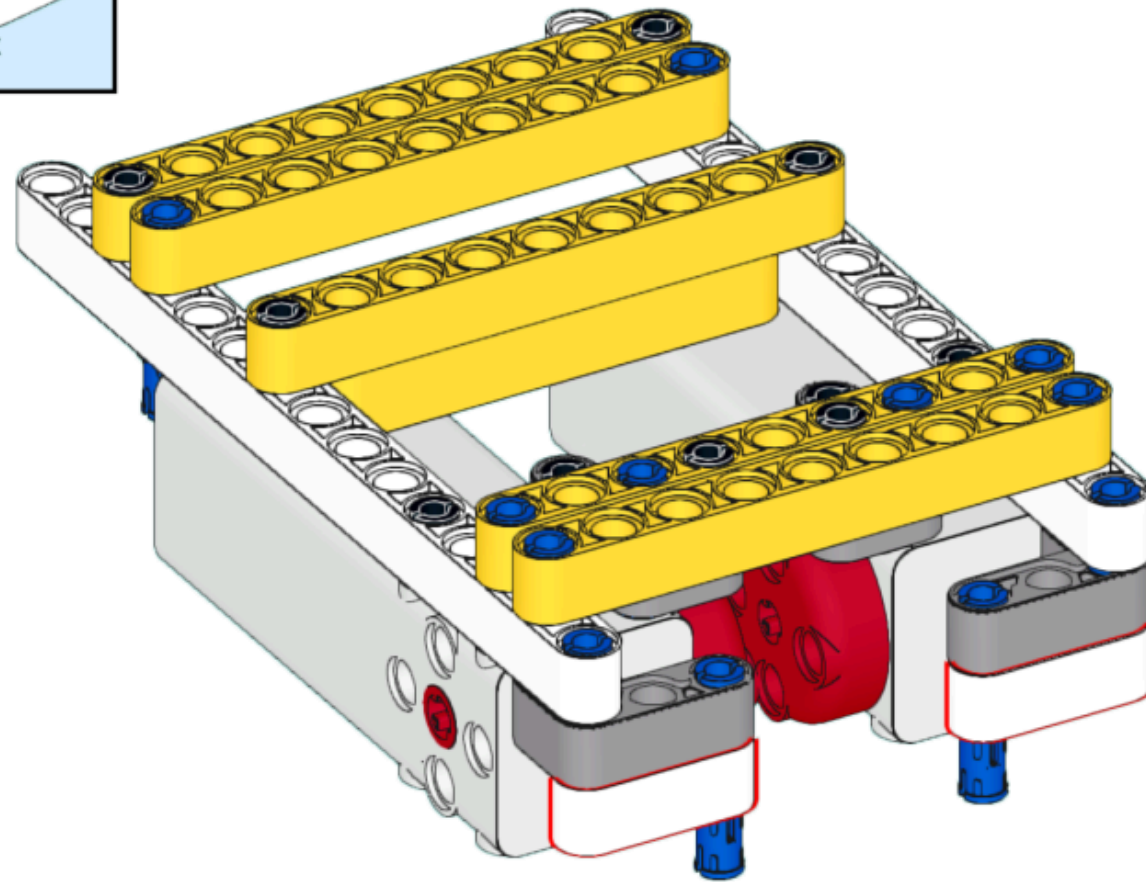
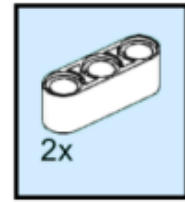
8



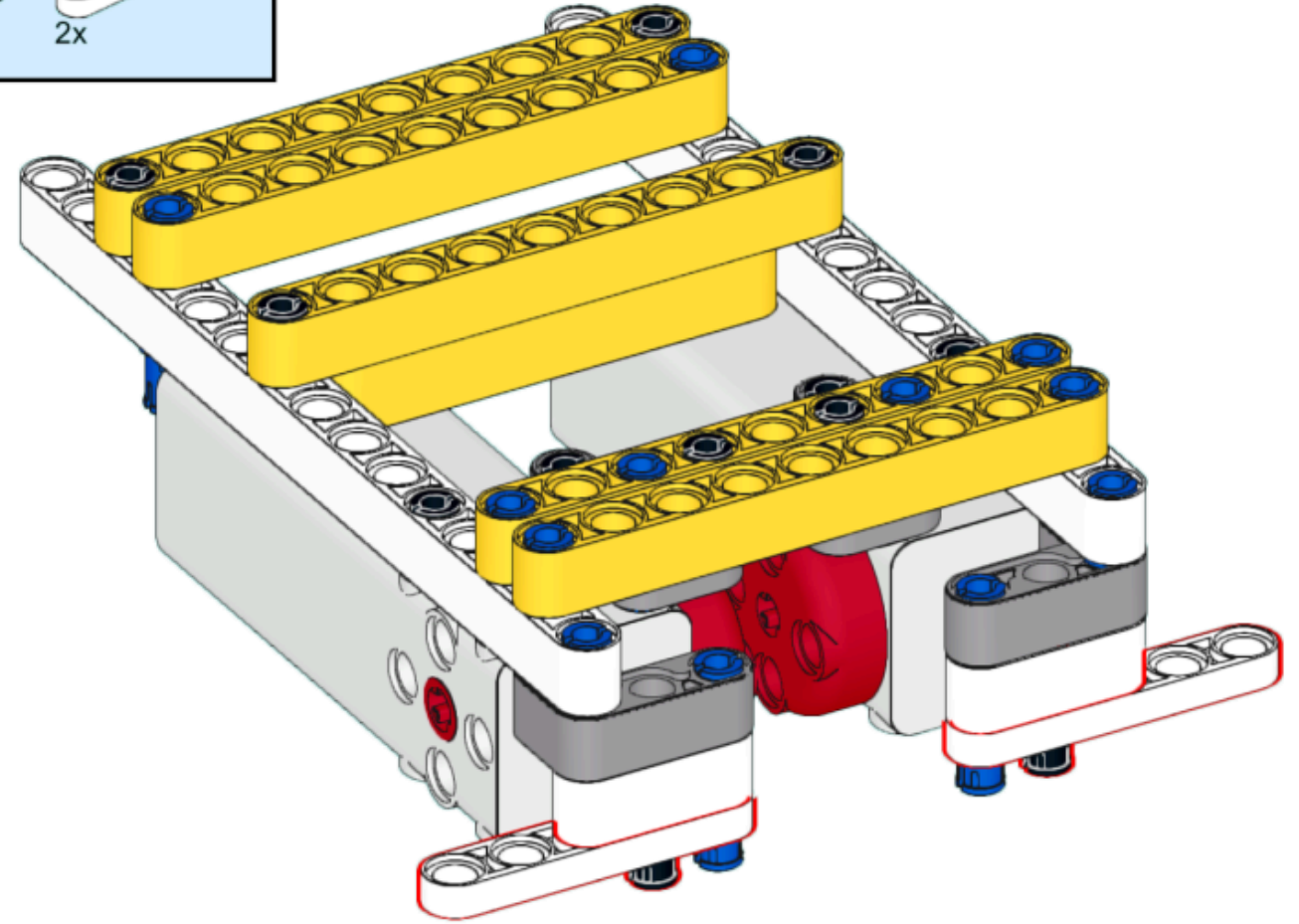
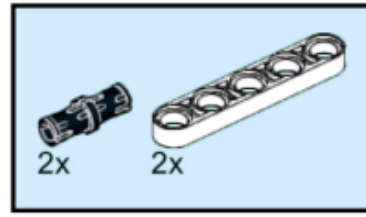
9



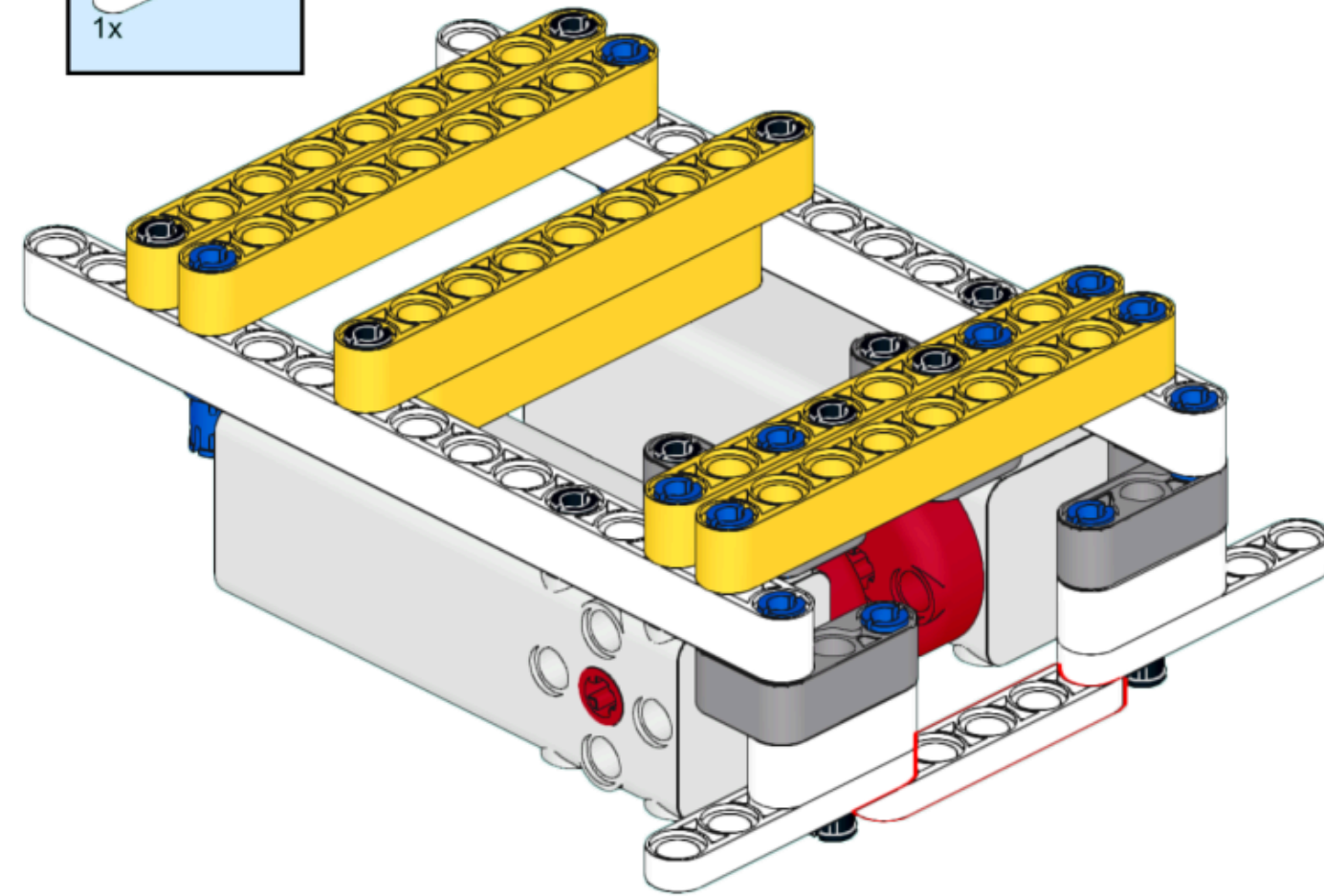
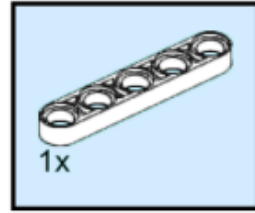
10



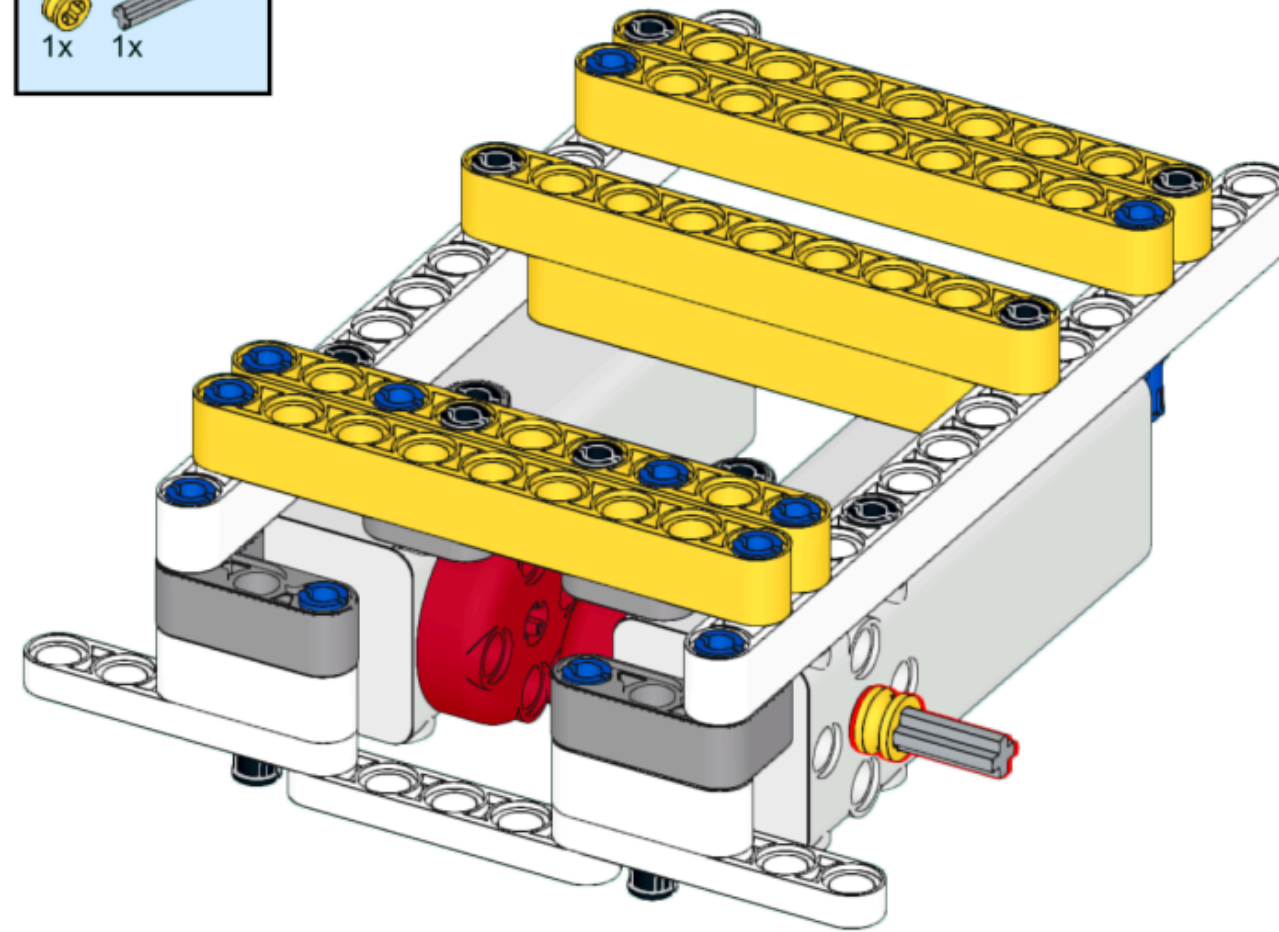
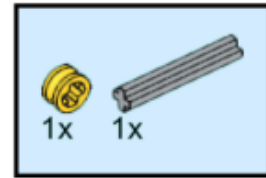
11



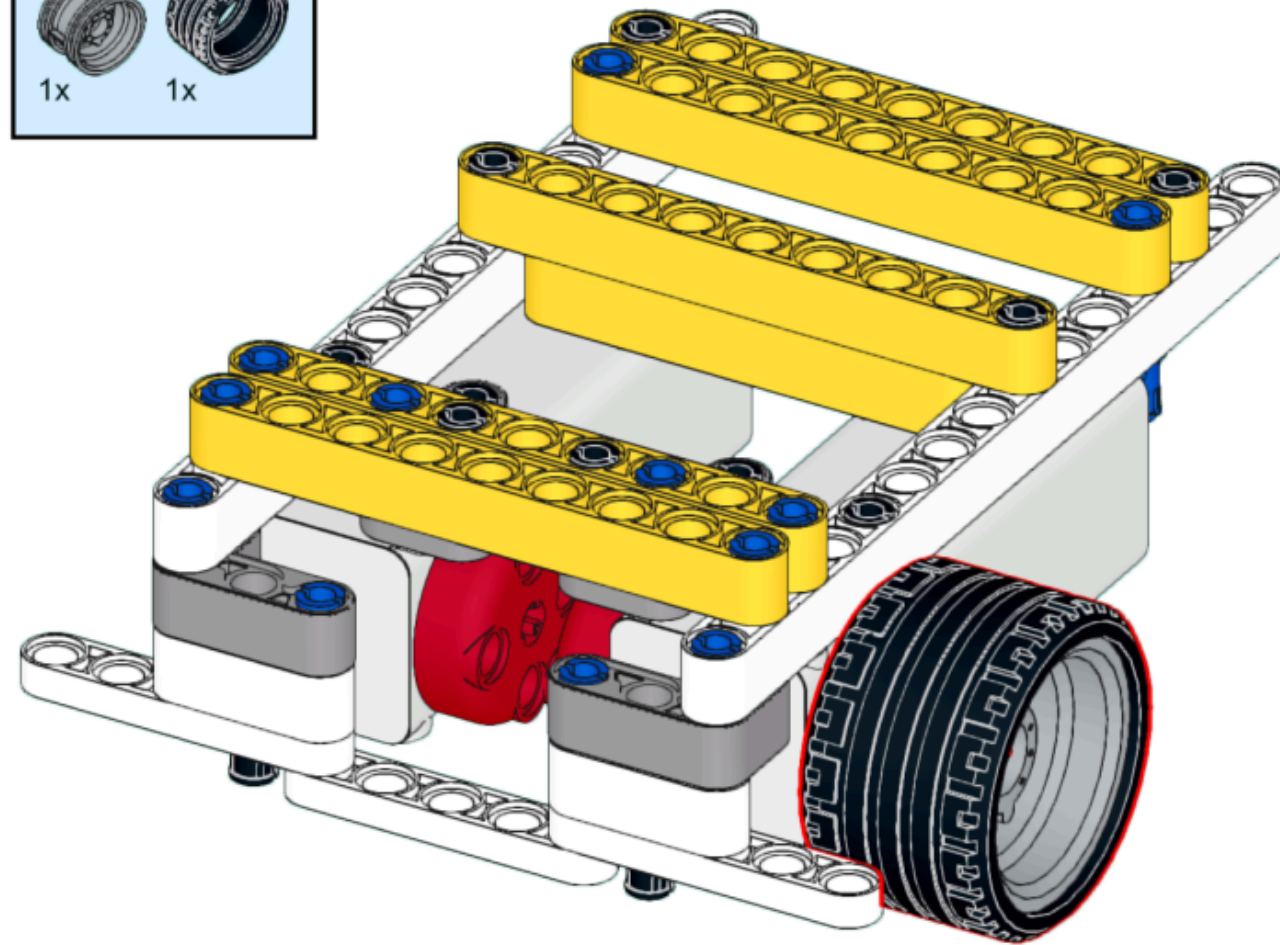
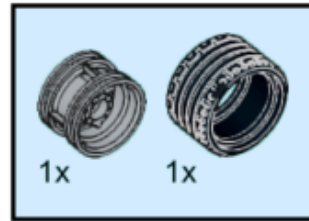
12



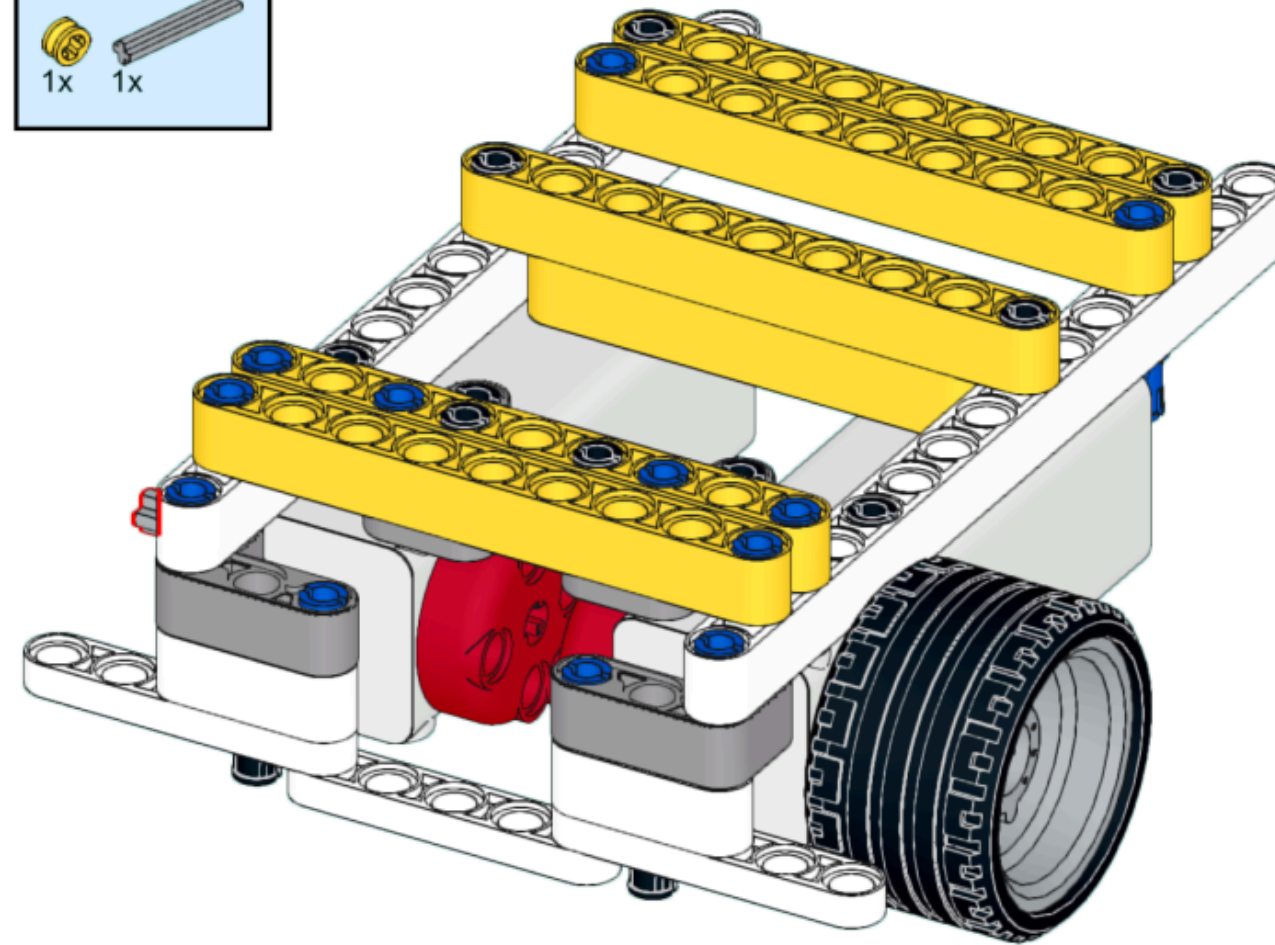
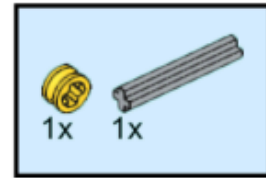
13



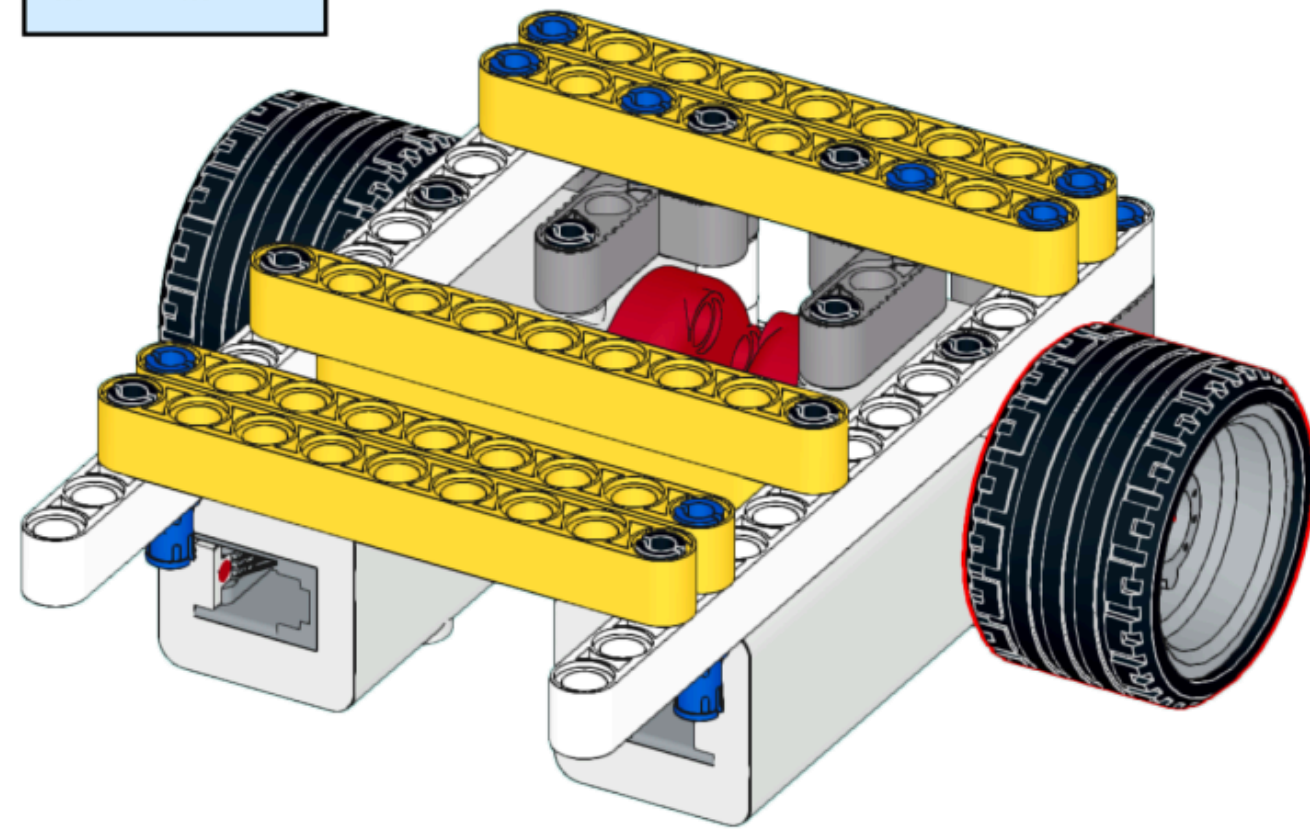
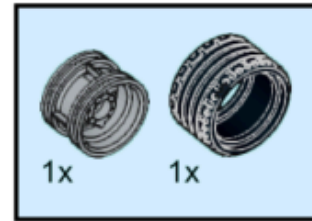
14



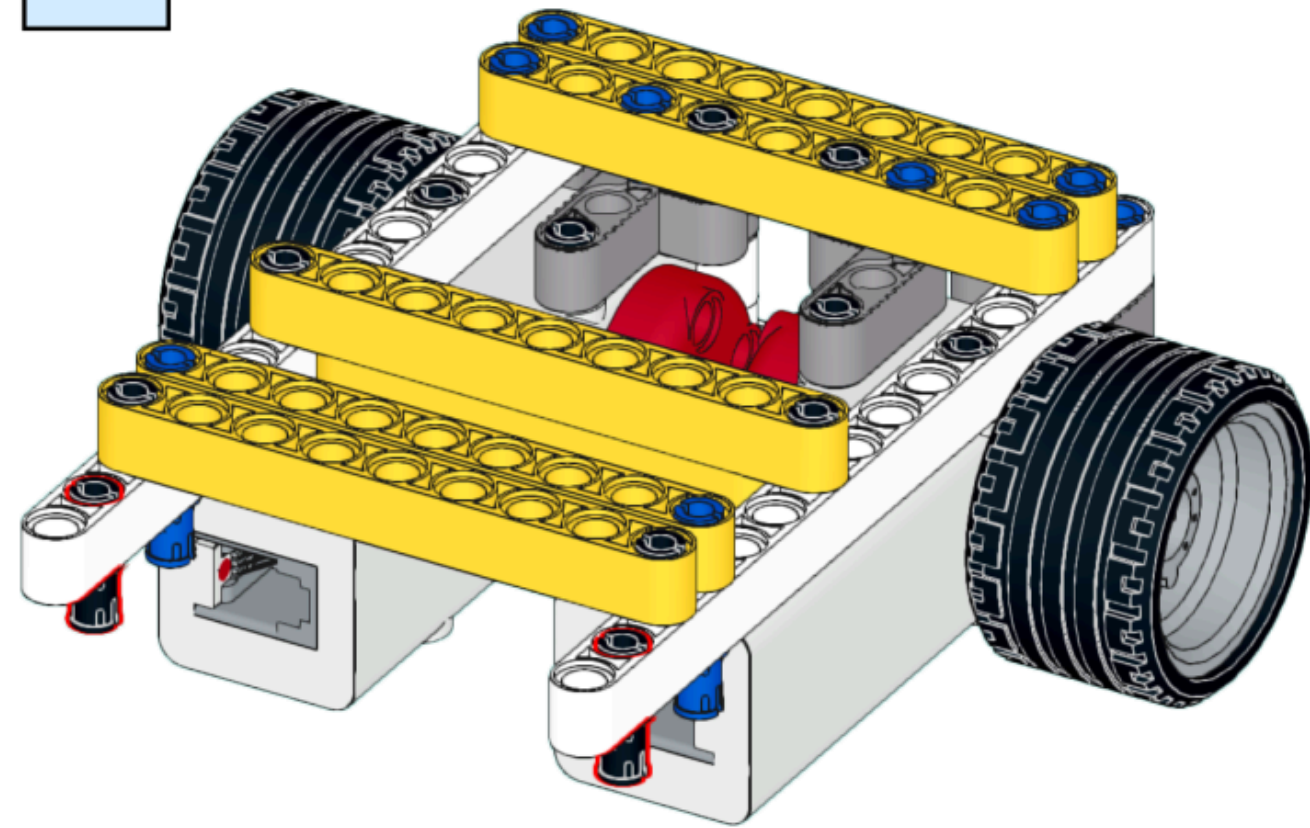
15



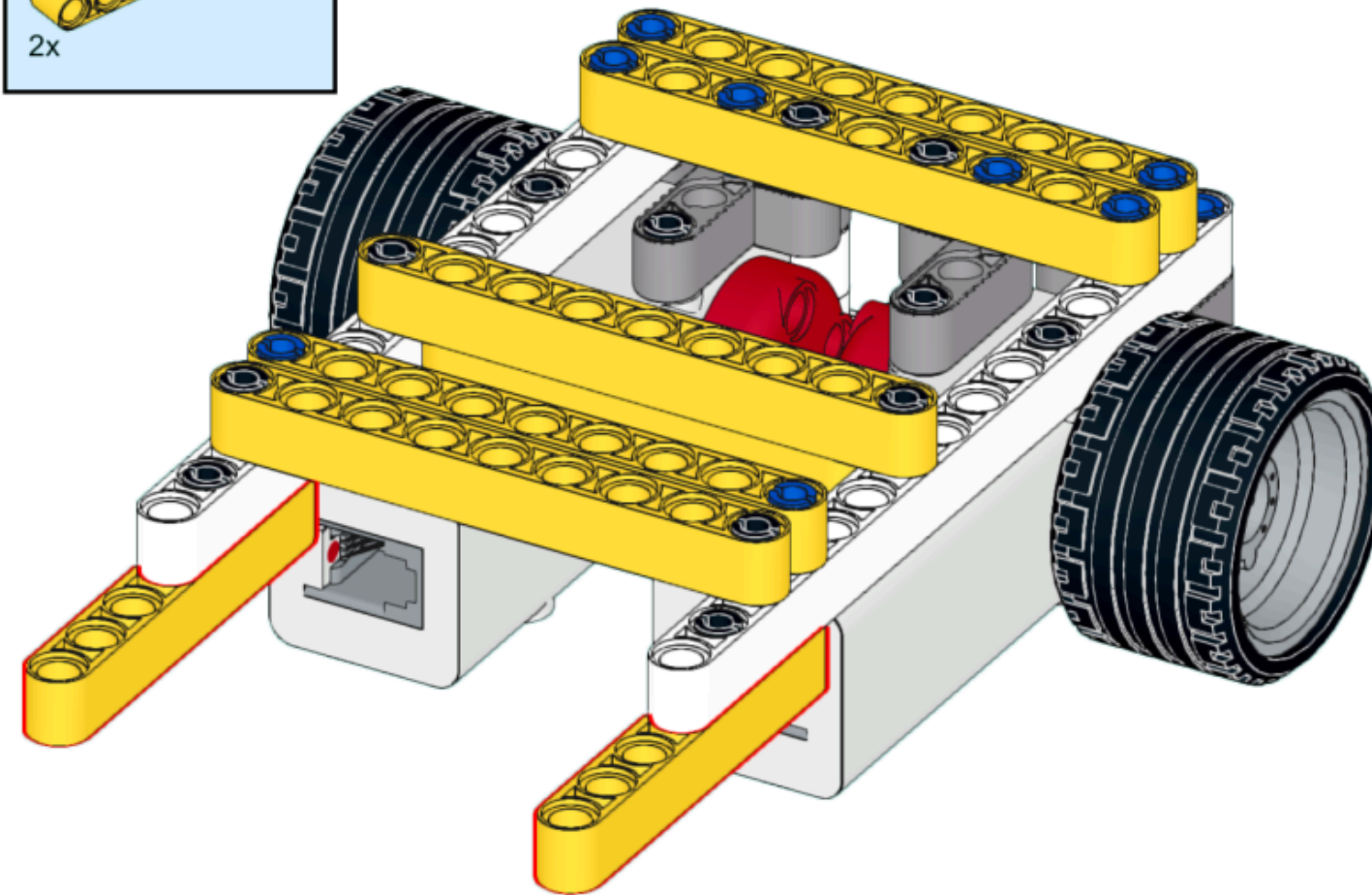
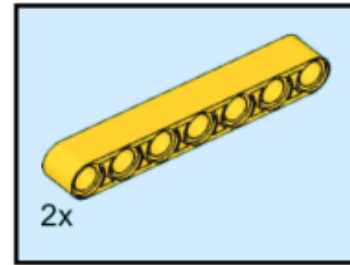
16



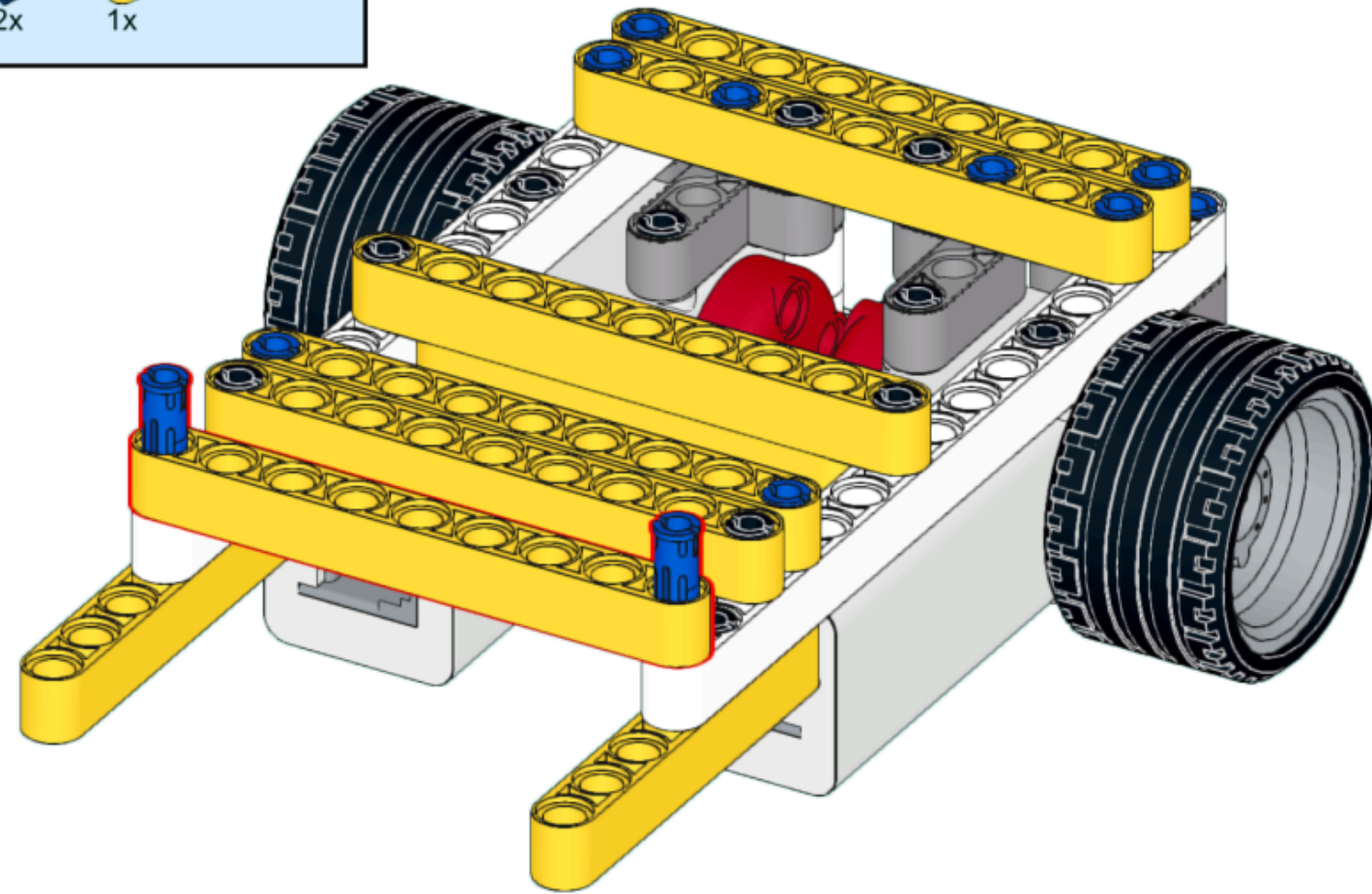
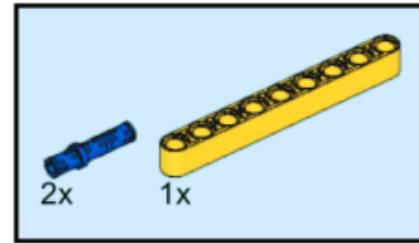
17



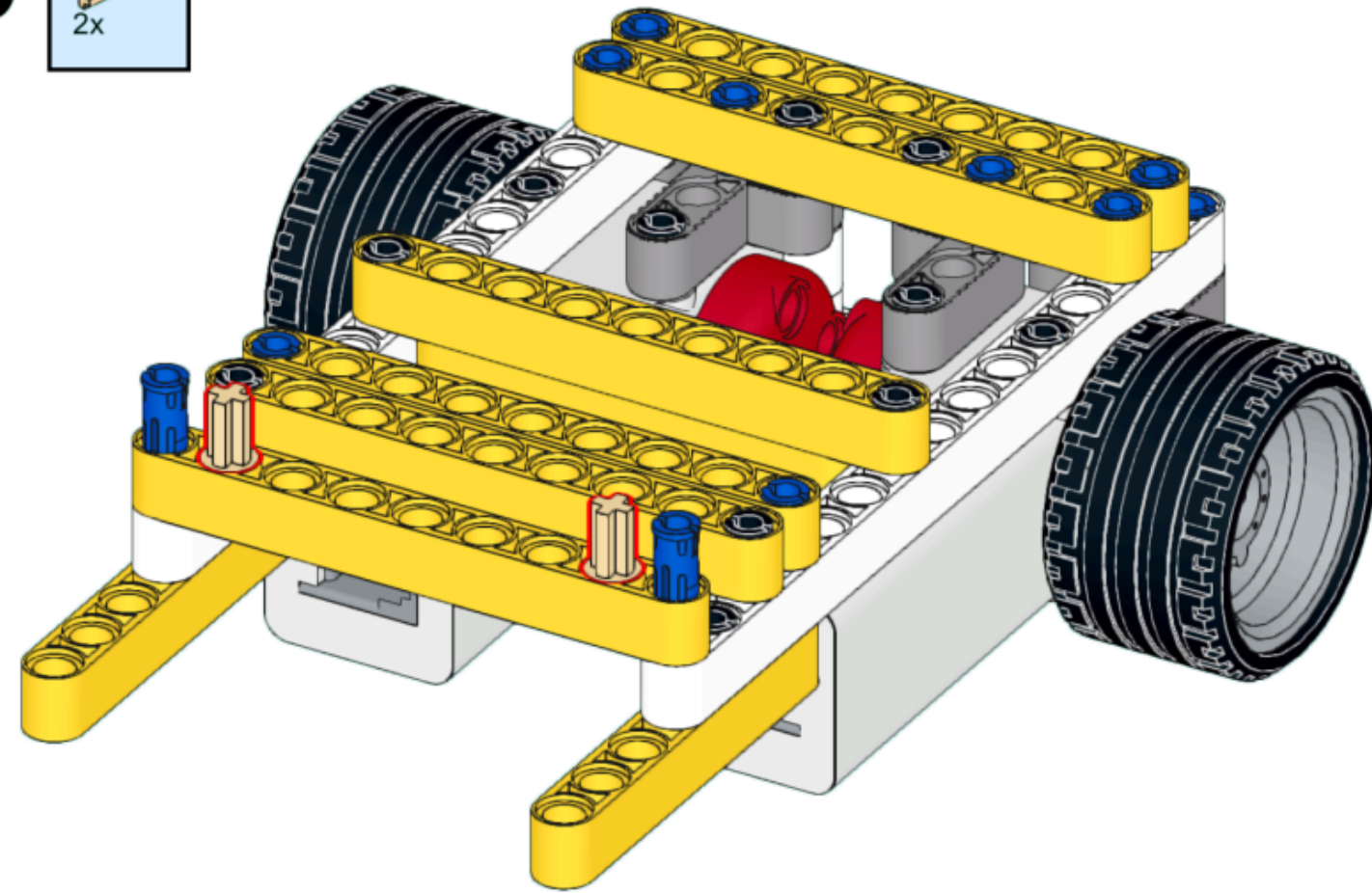
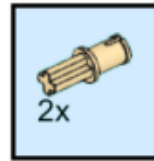
18



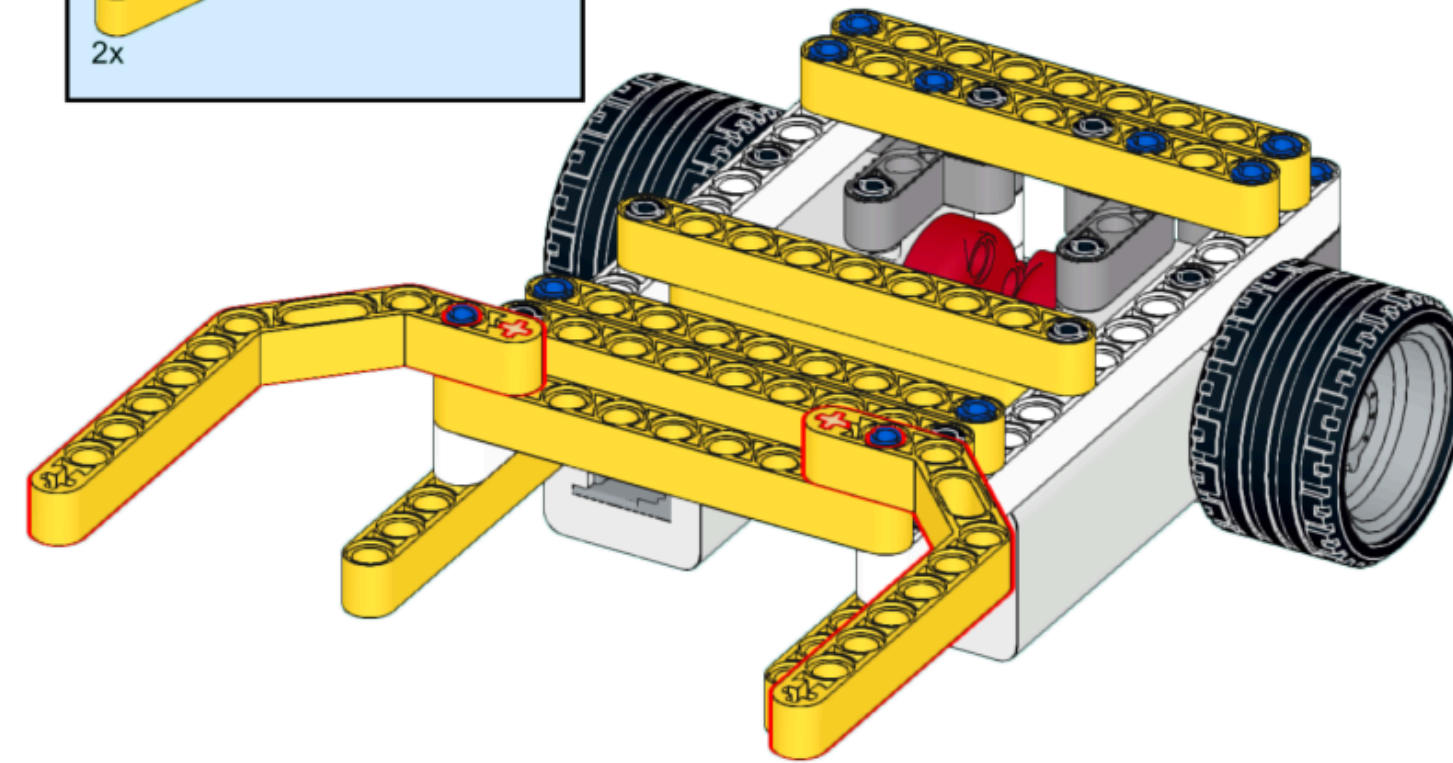
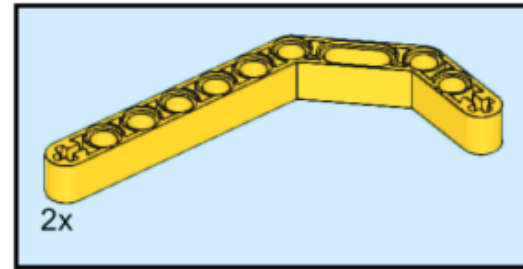
19



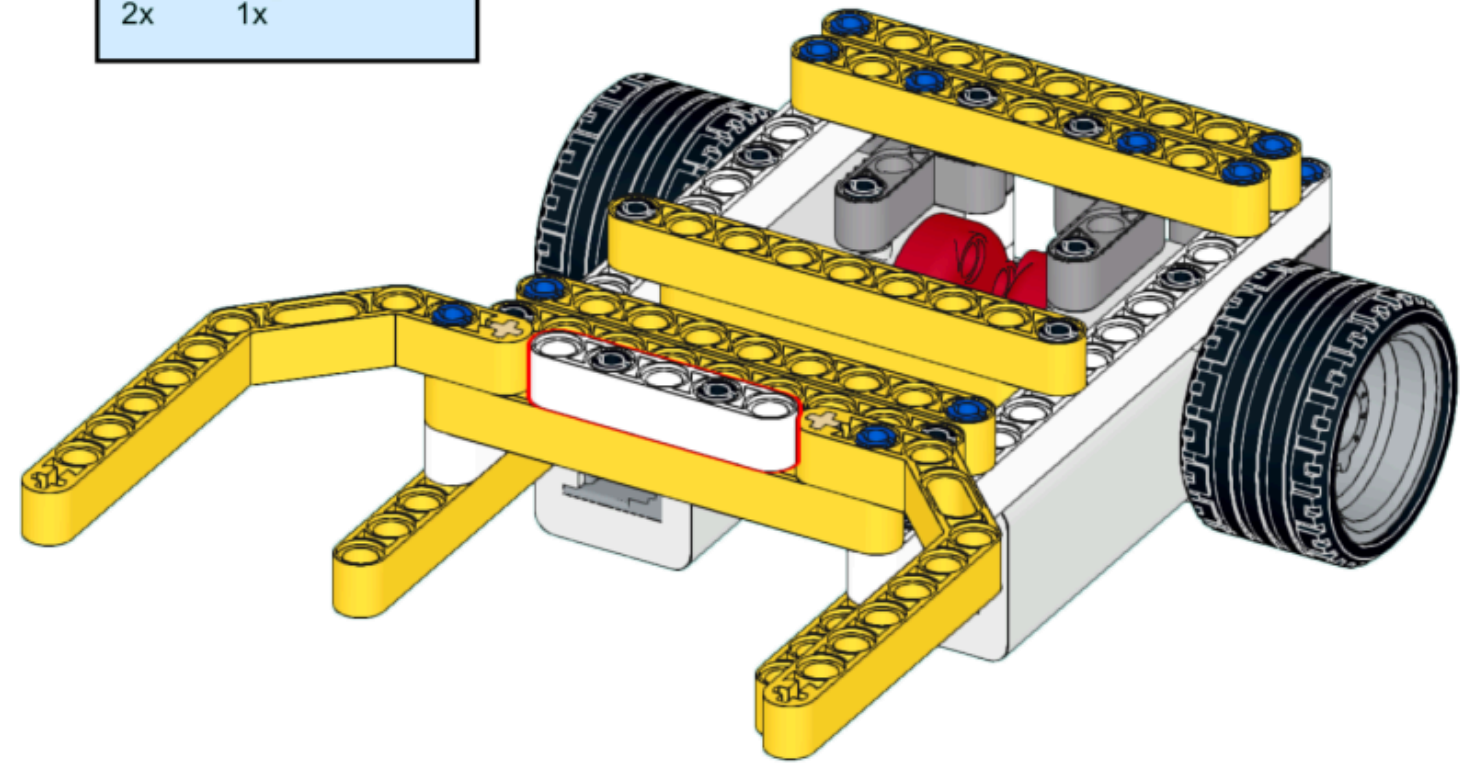
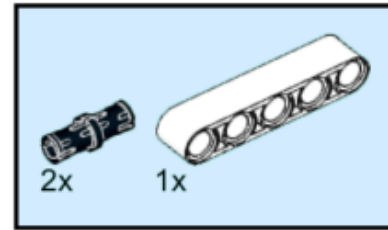
20



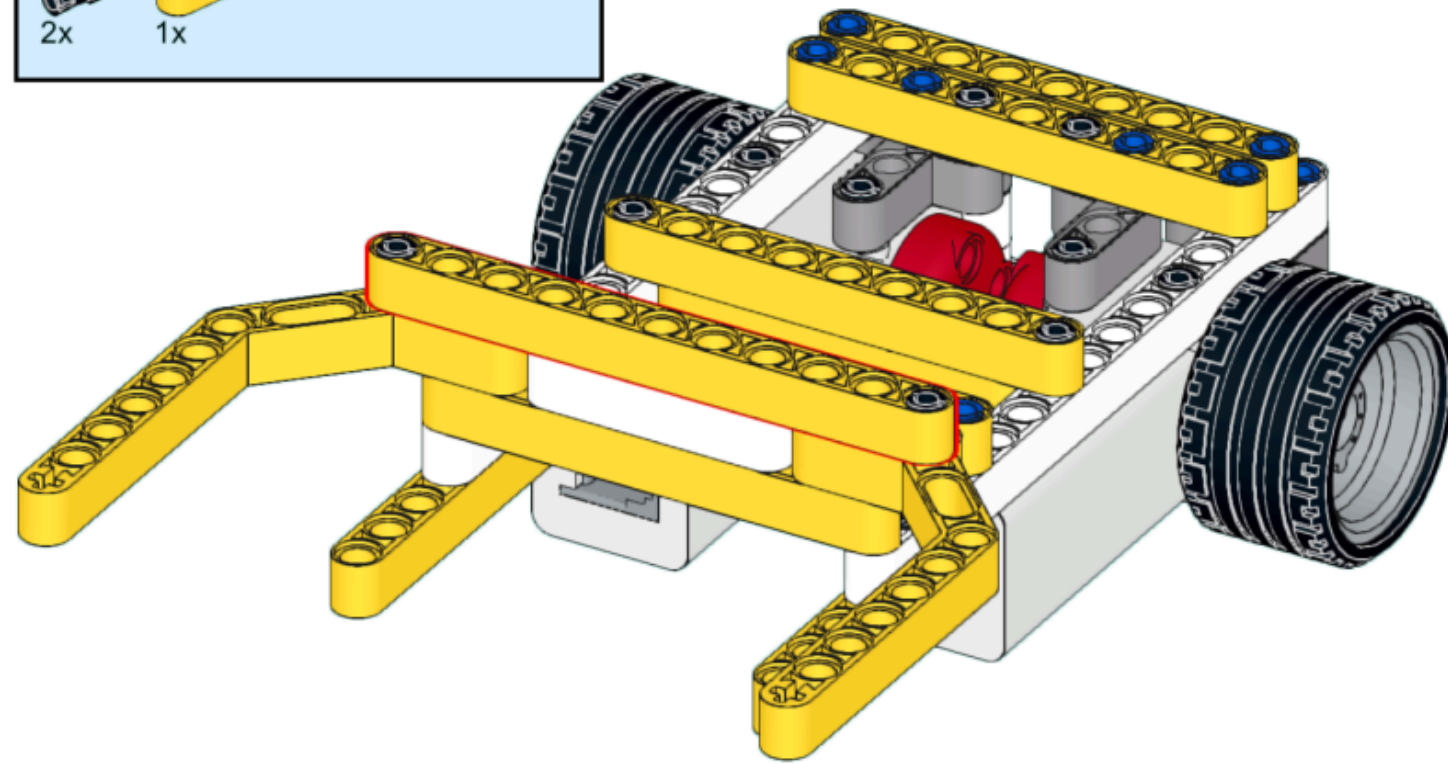
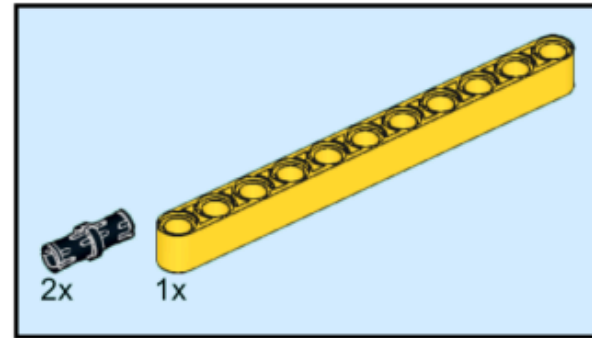
21



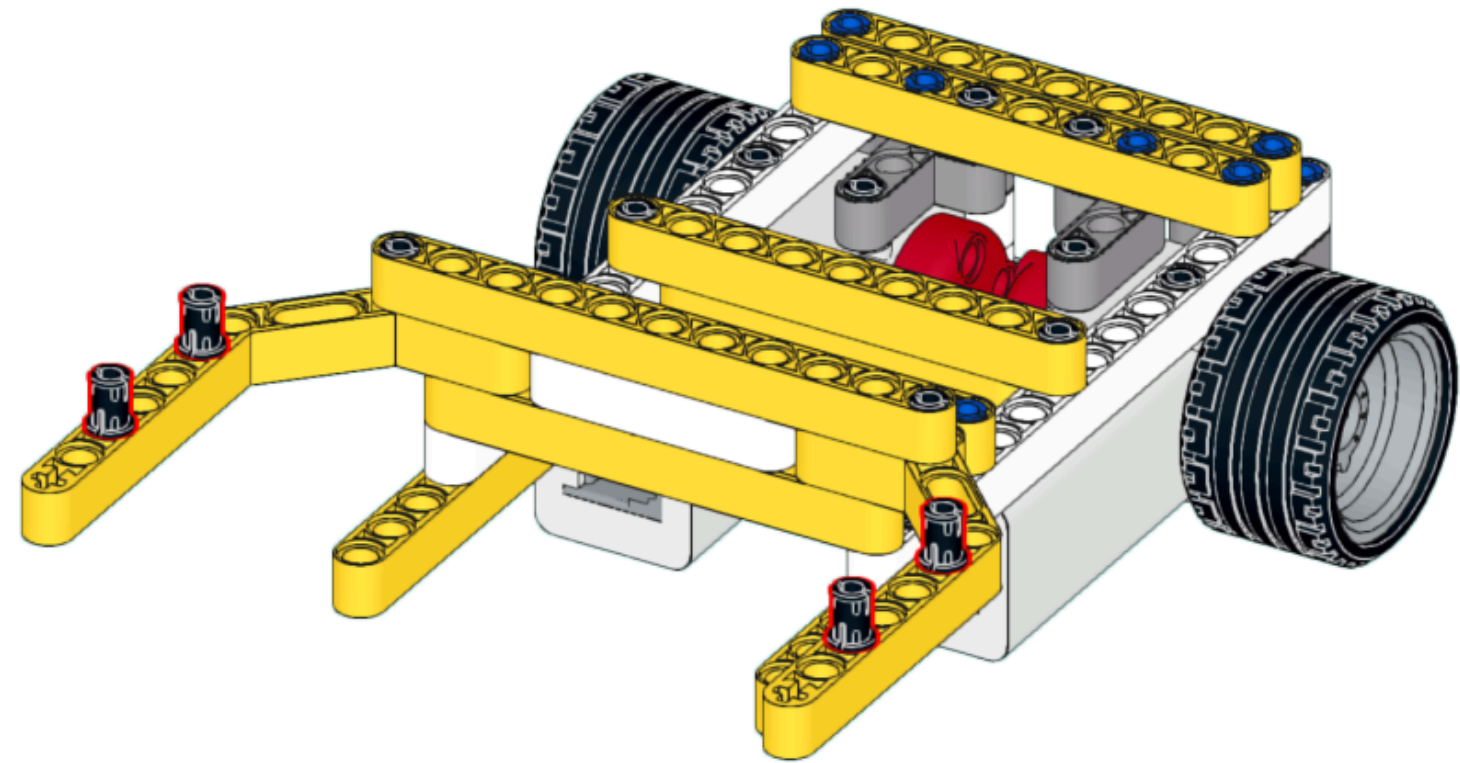
22



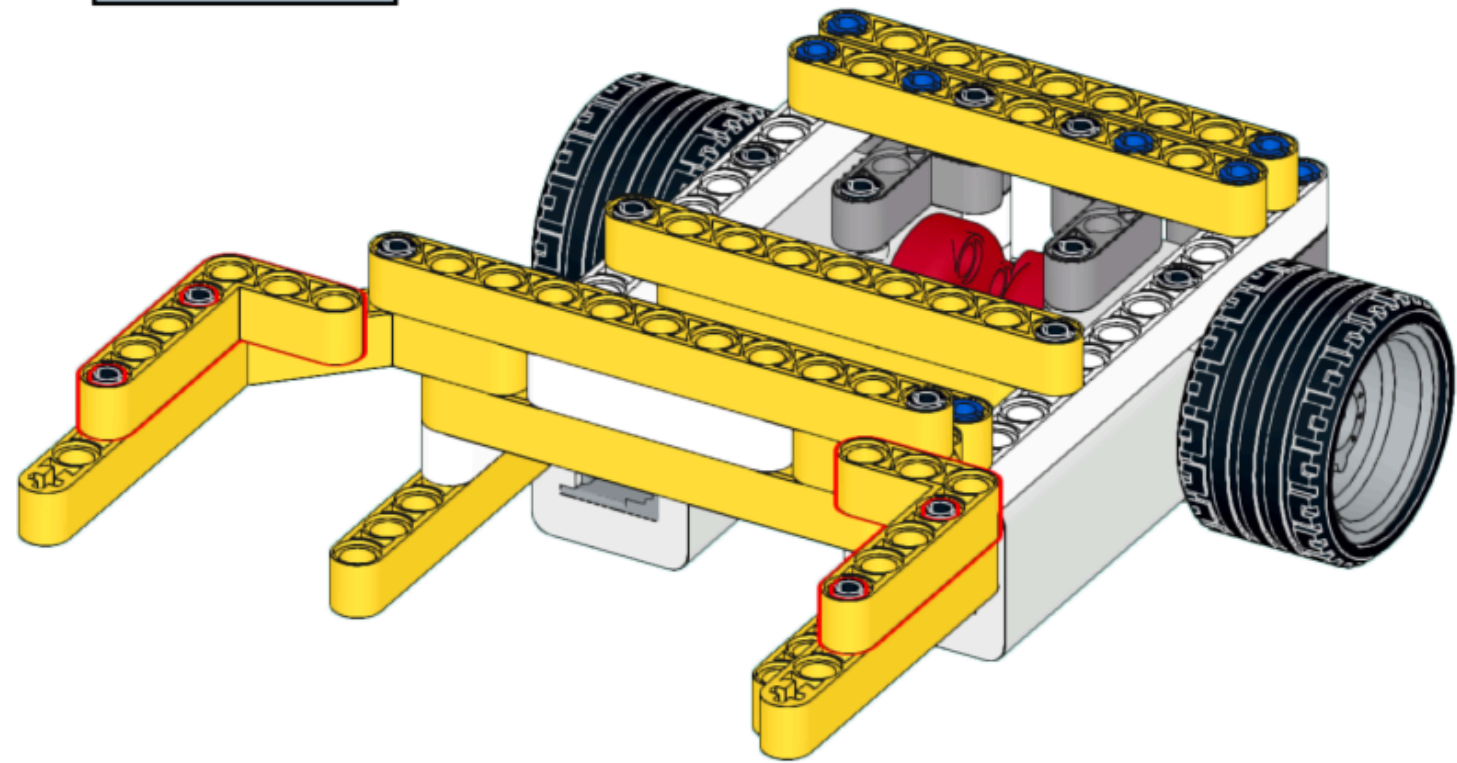
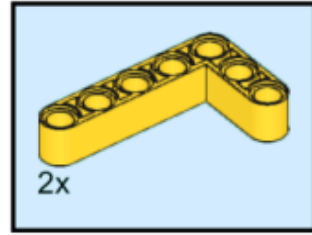
23



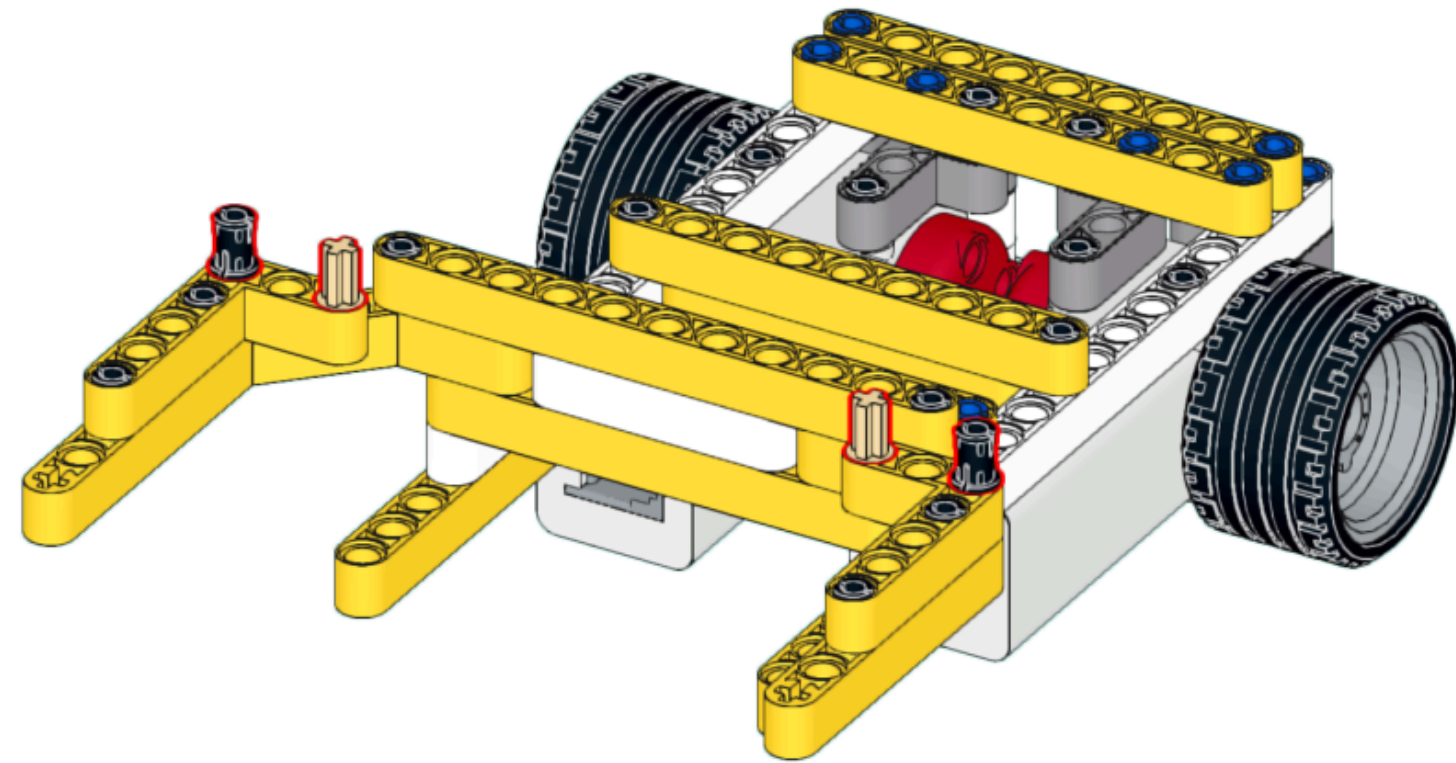
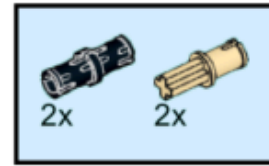
24



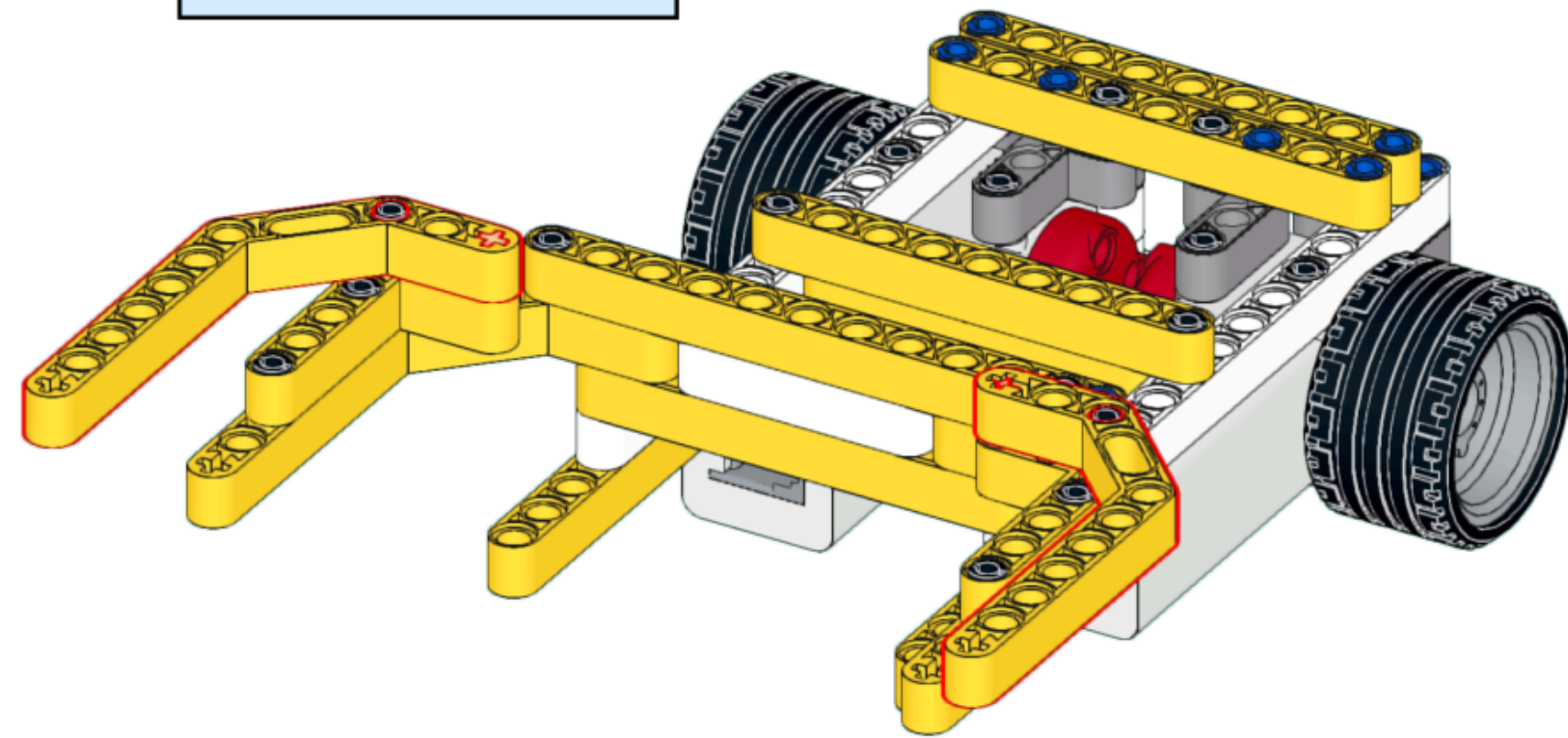
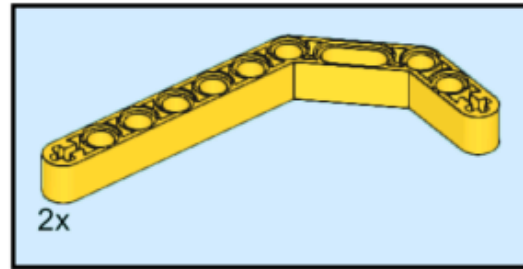
25



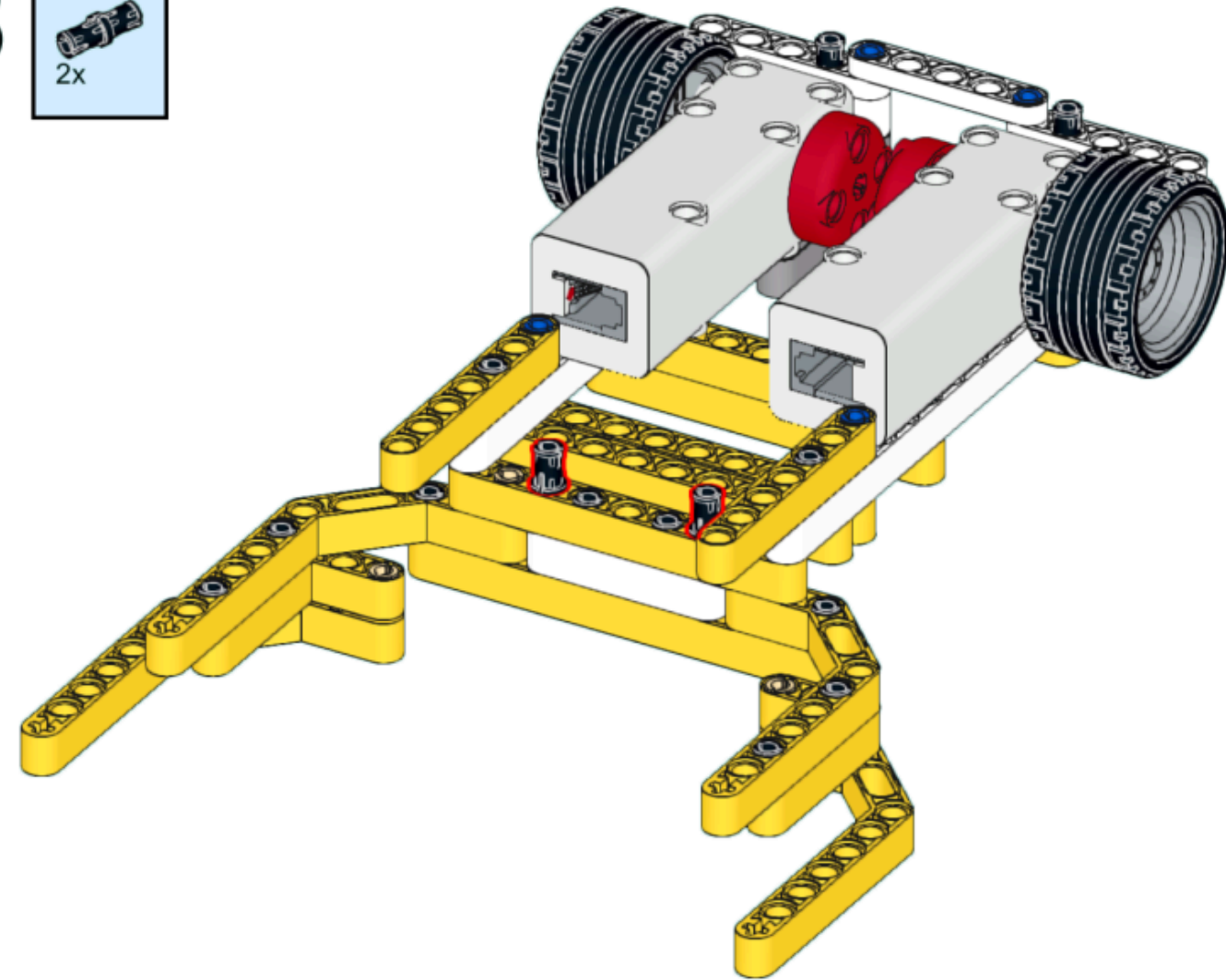
26



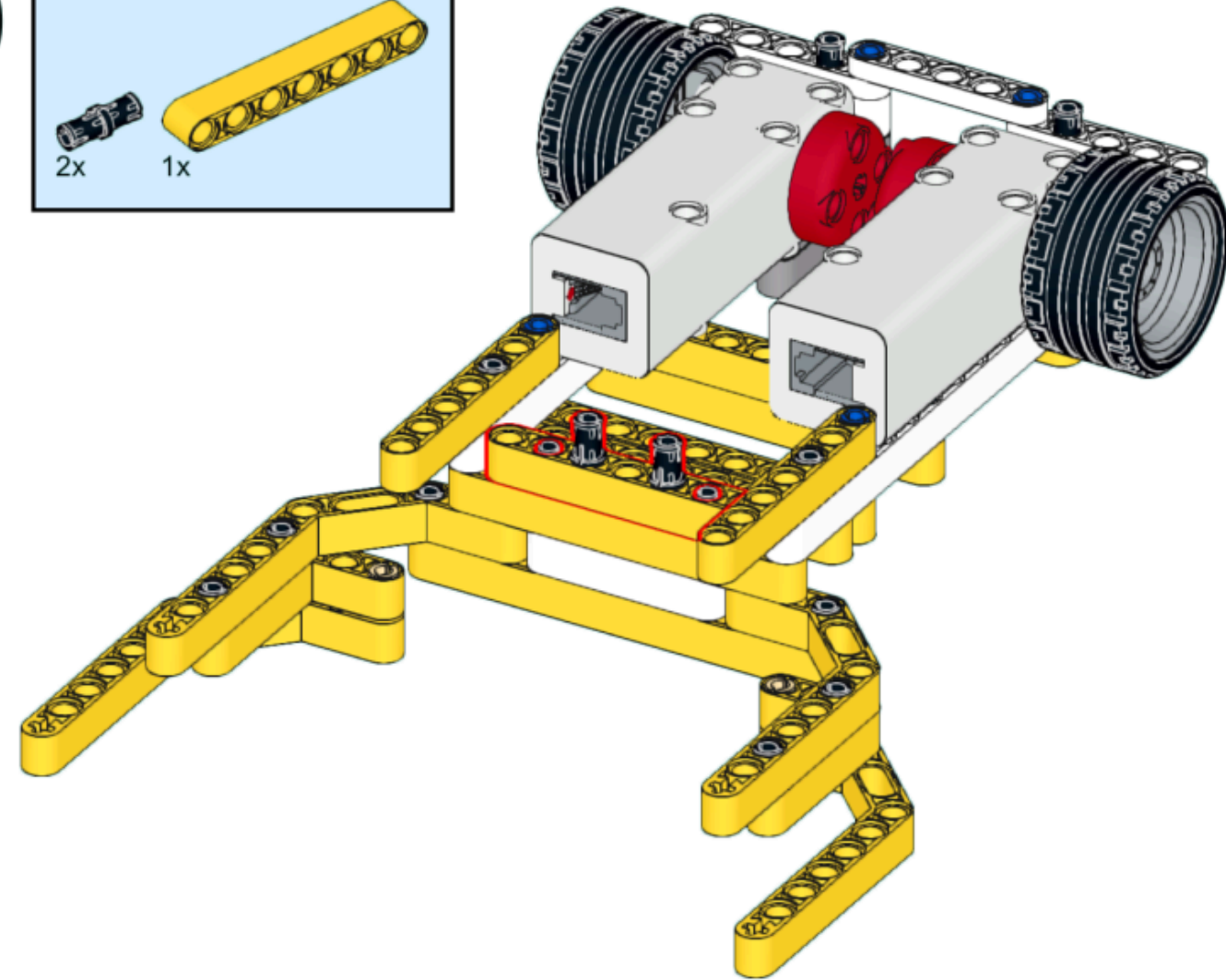
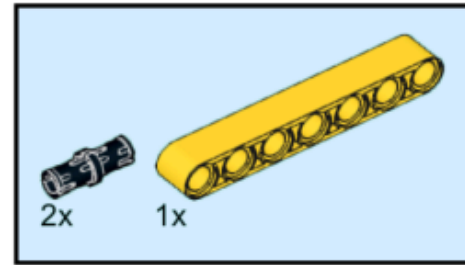
27



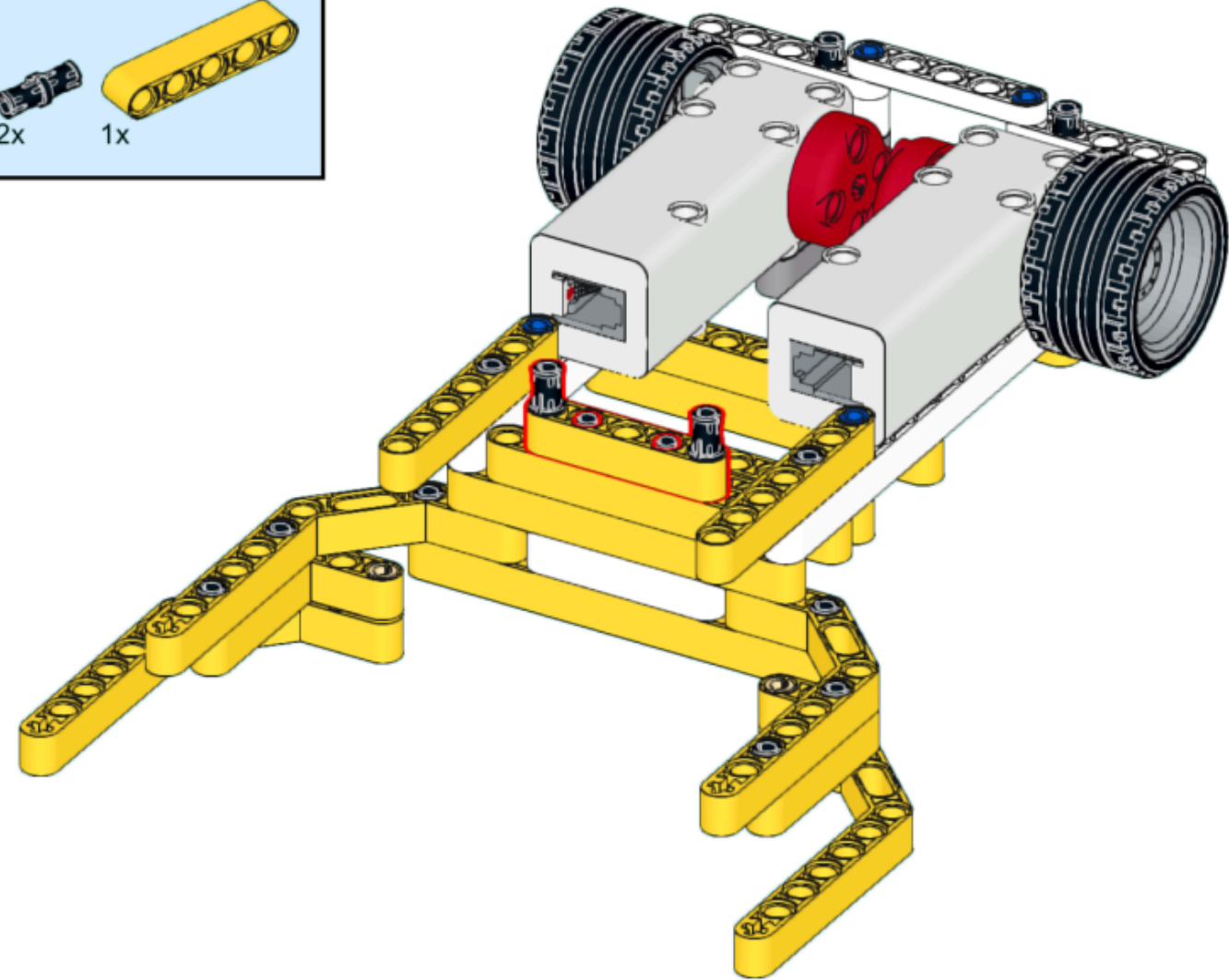
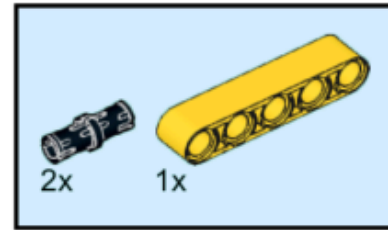
28



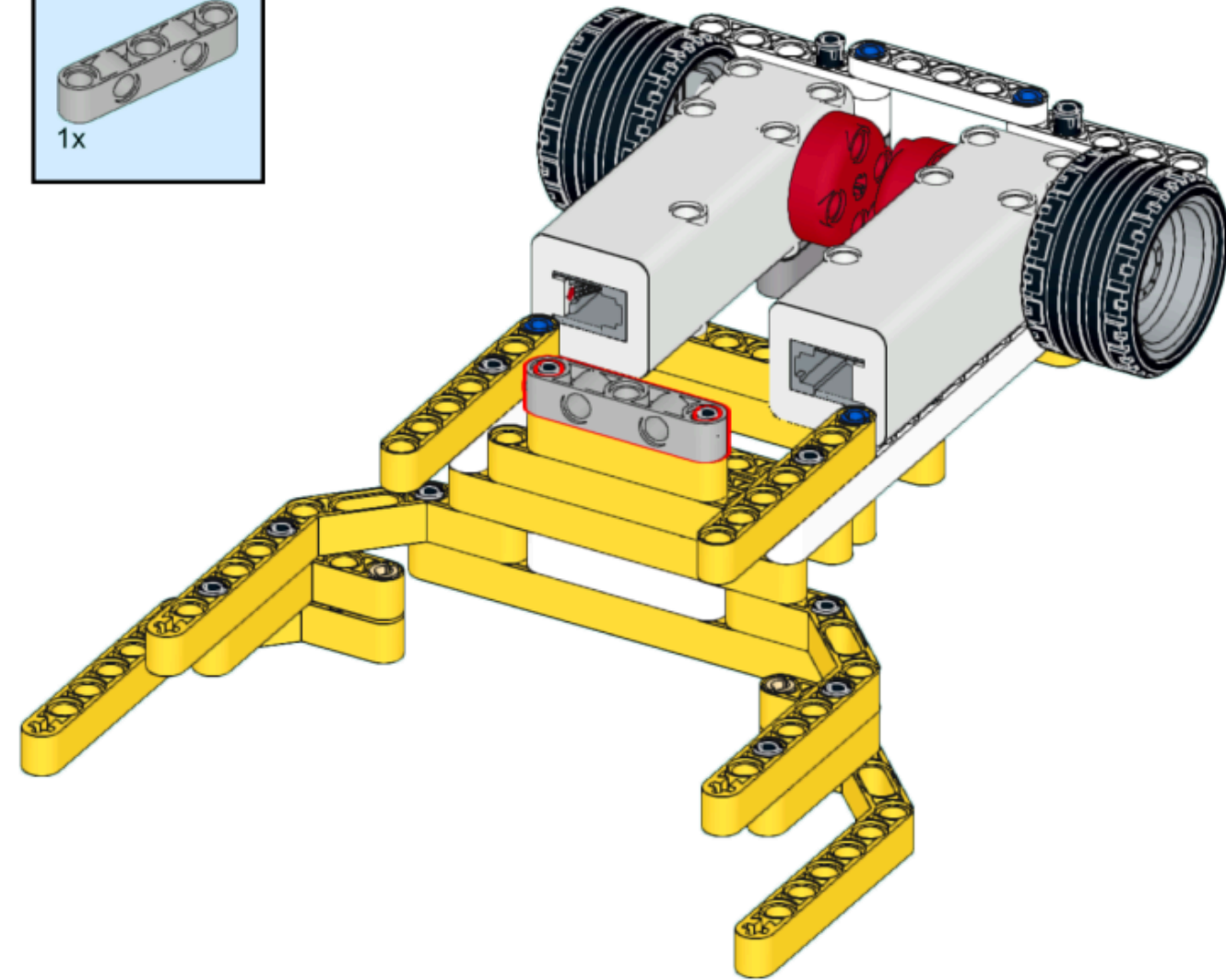
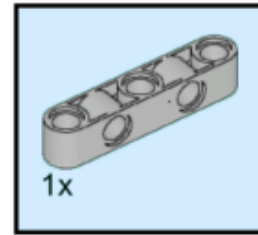
29



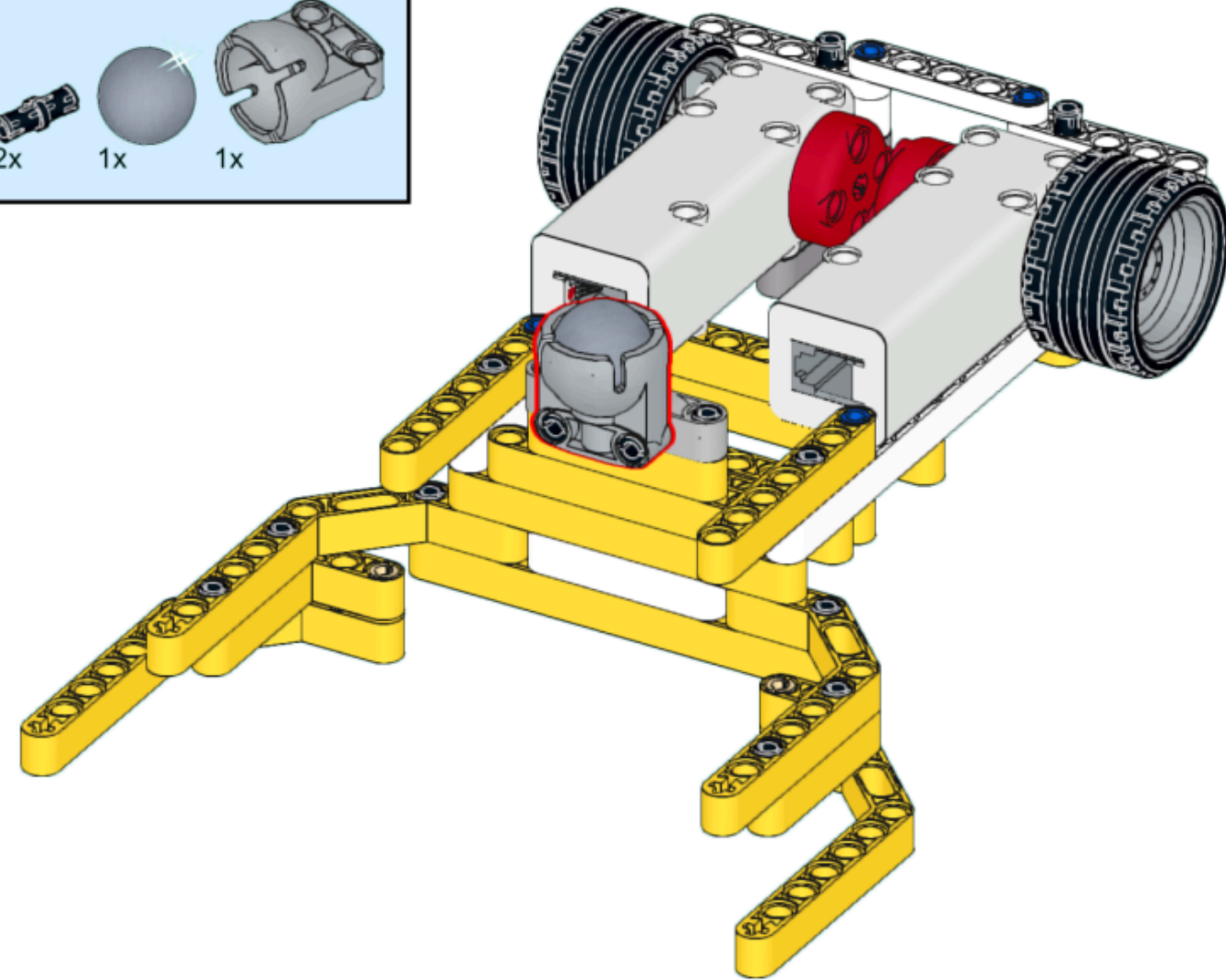
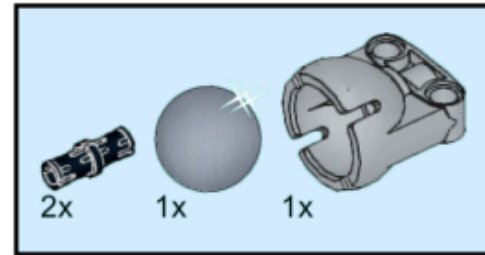
30



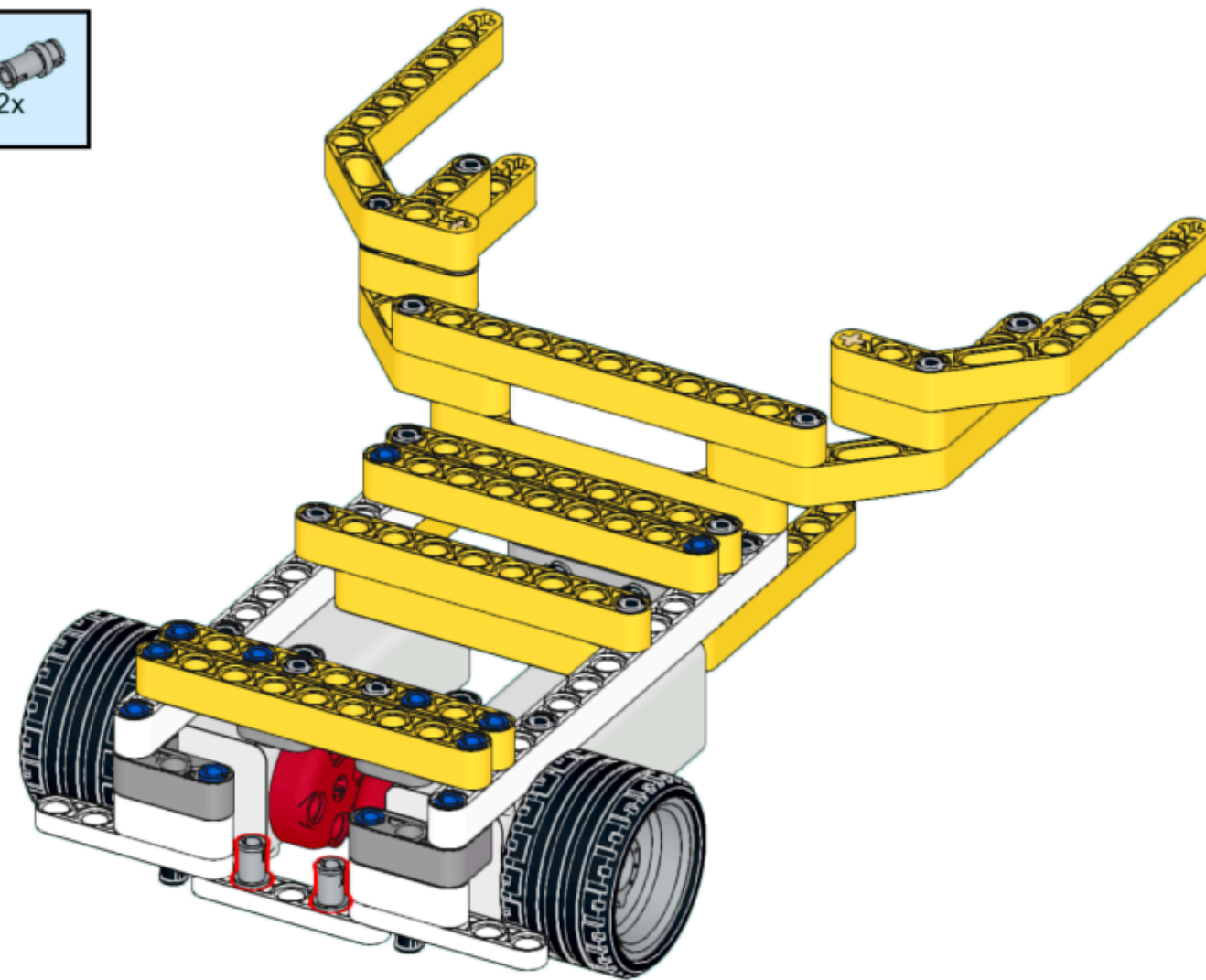
31



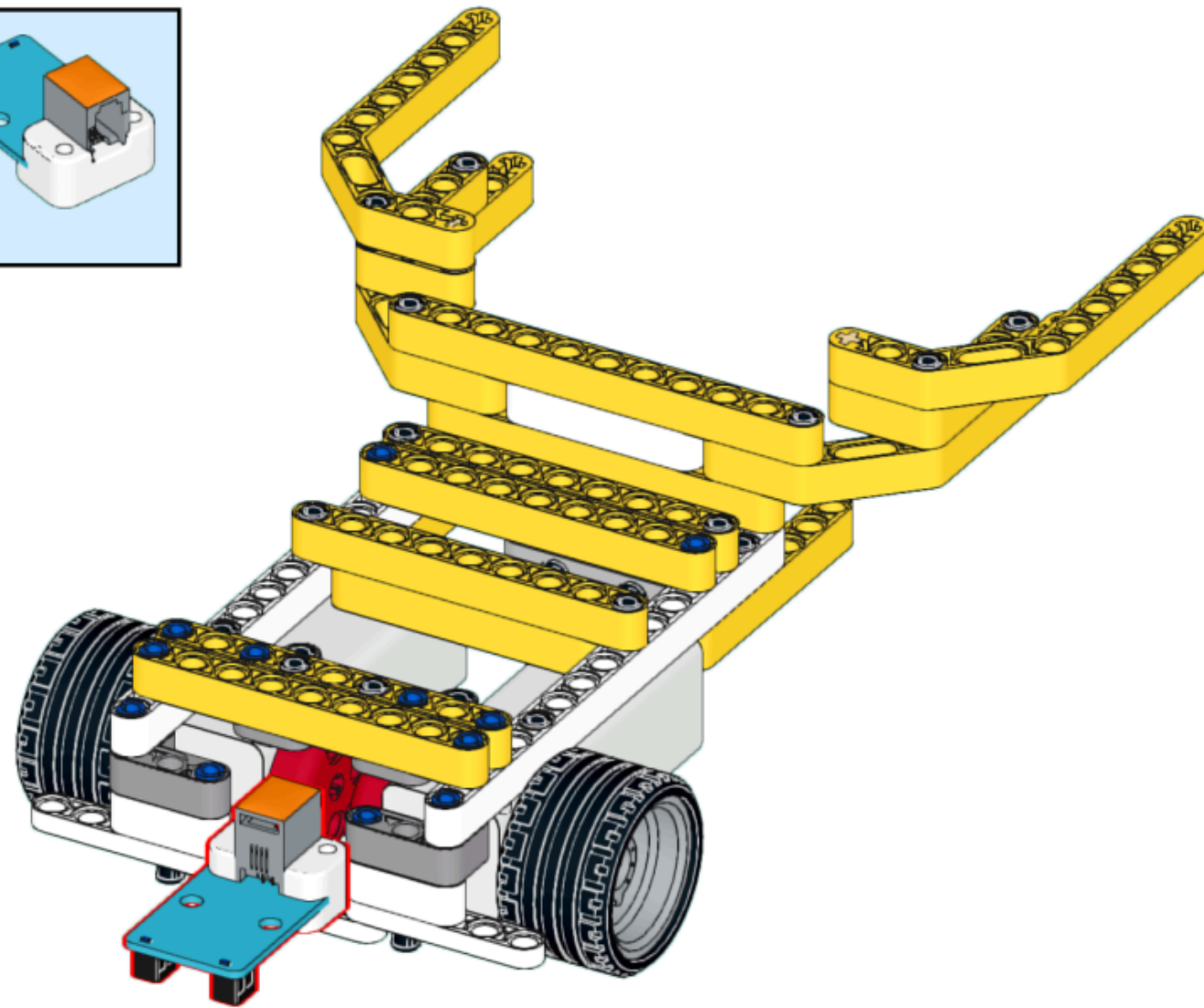
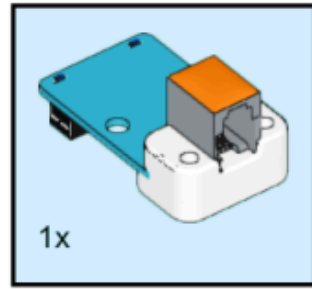
32



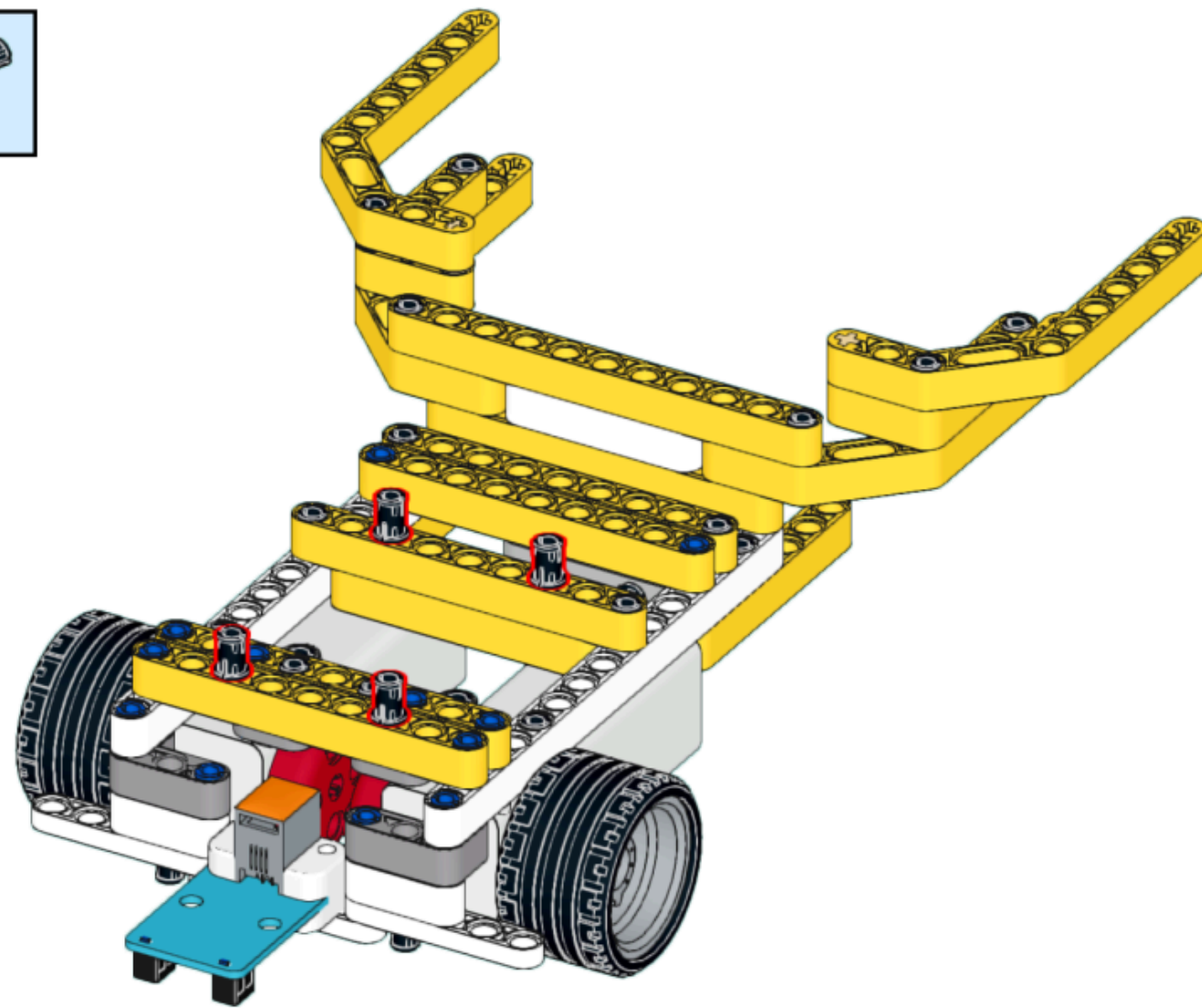
33



34



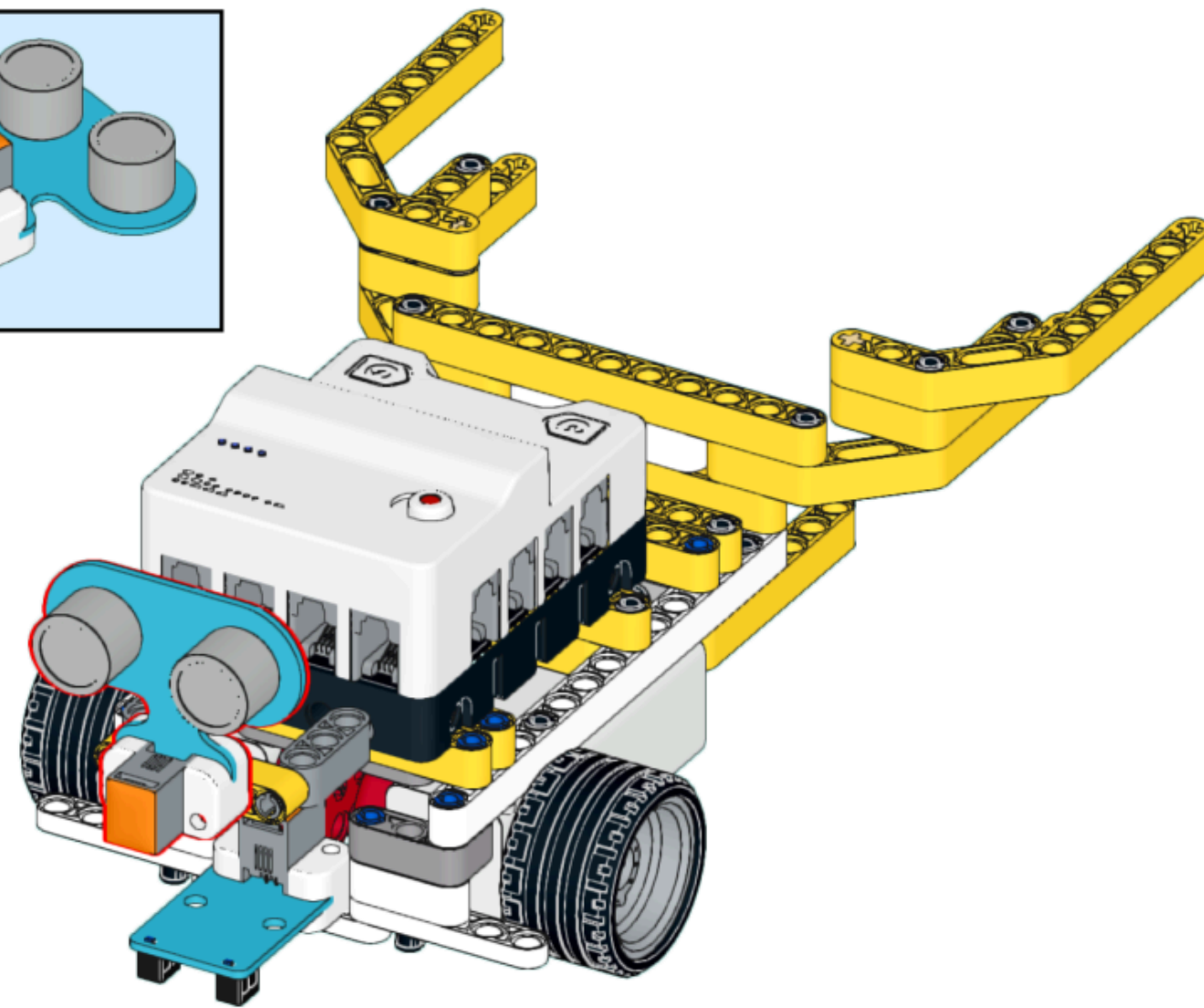
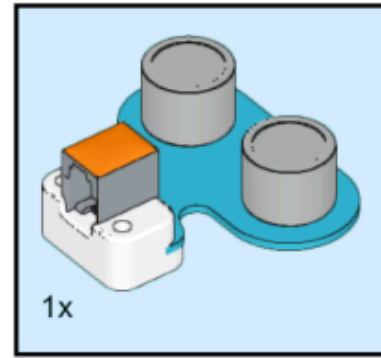
35



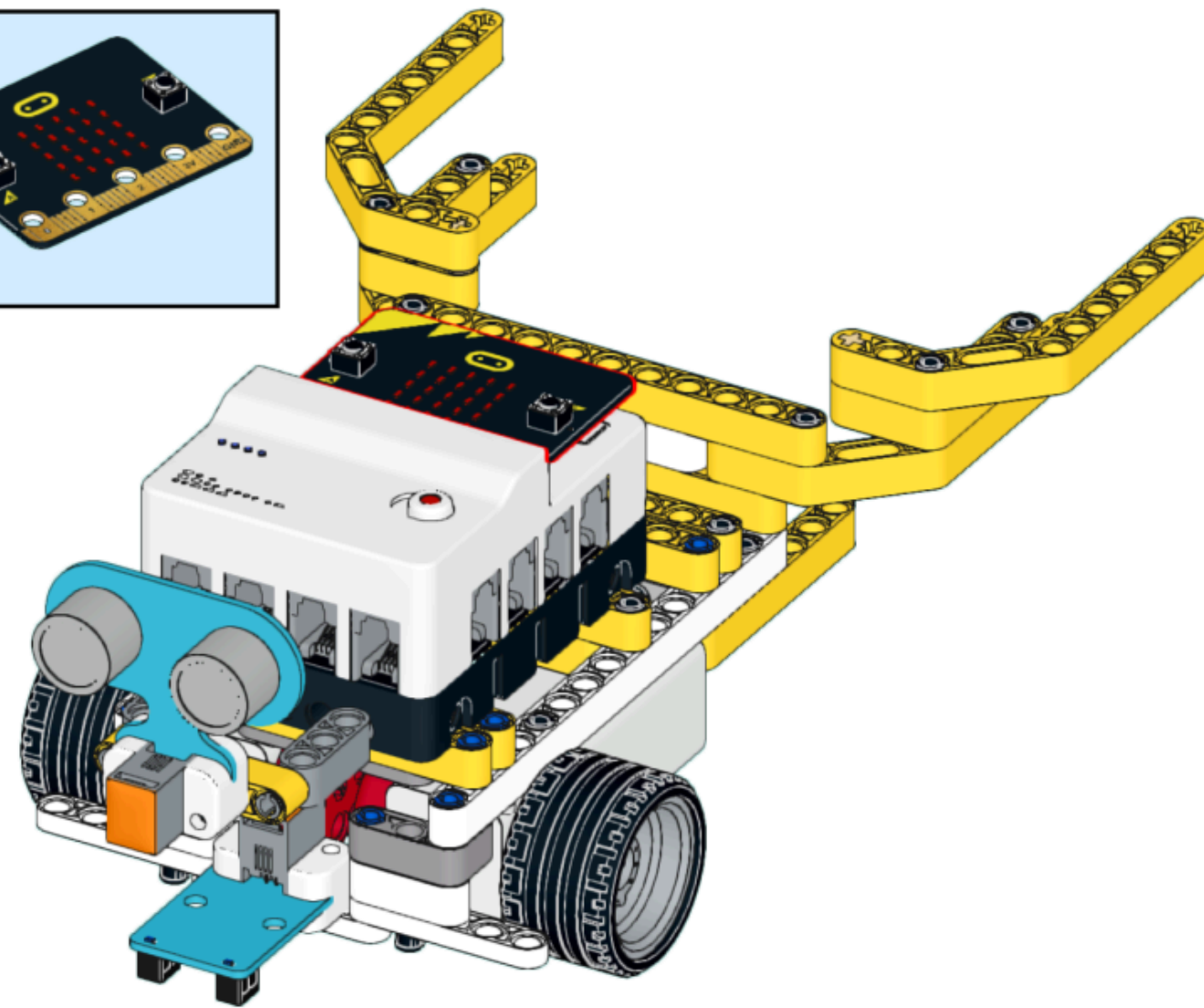
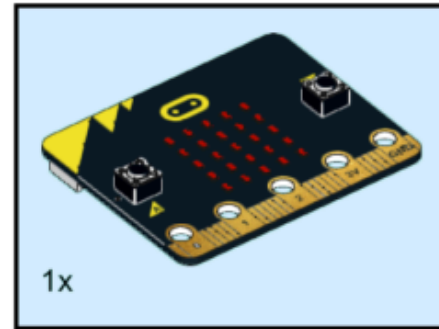


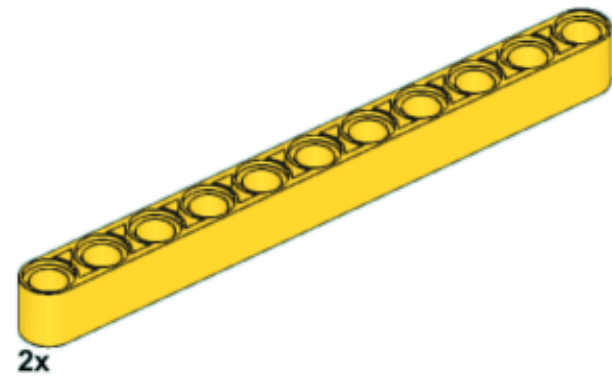
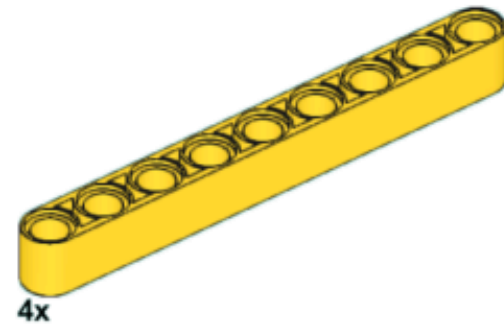
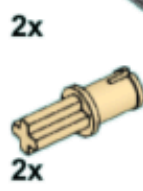
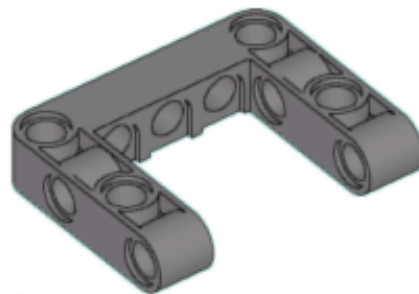
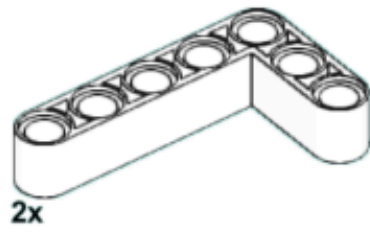
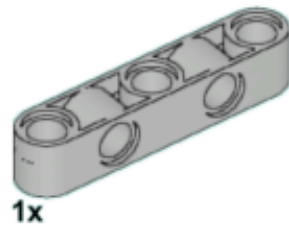
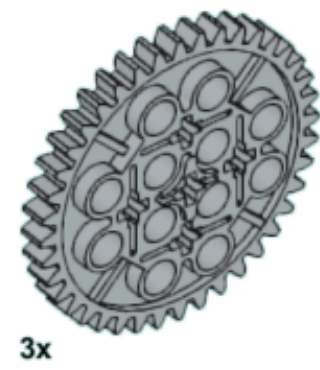
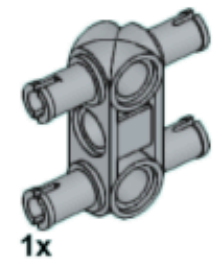


38

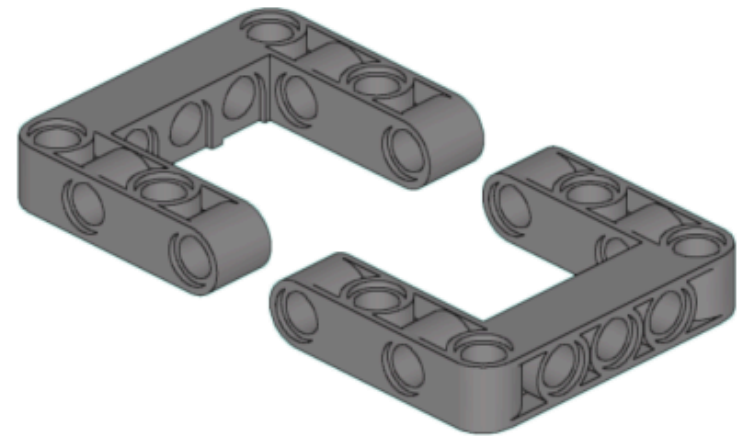
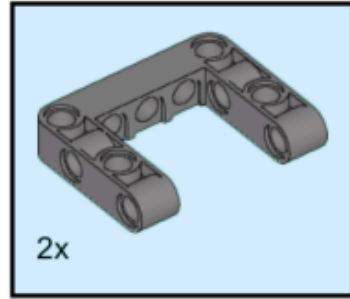


39

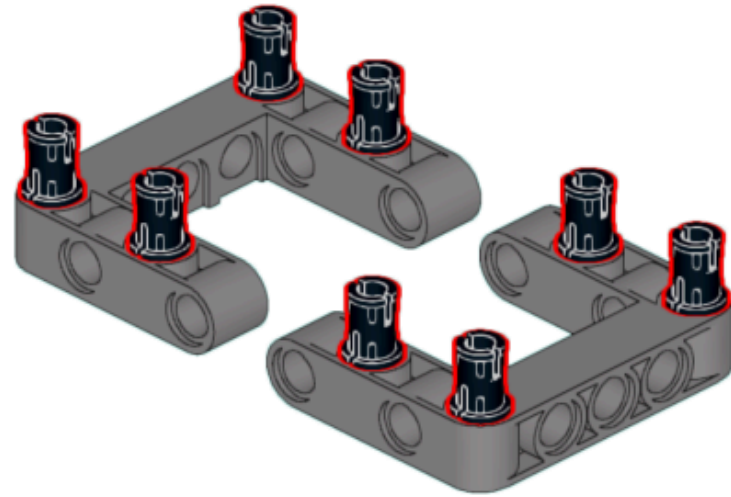




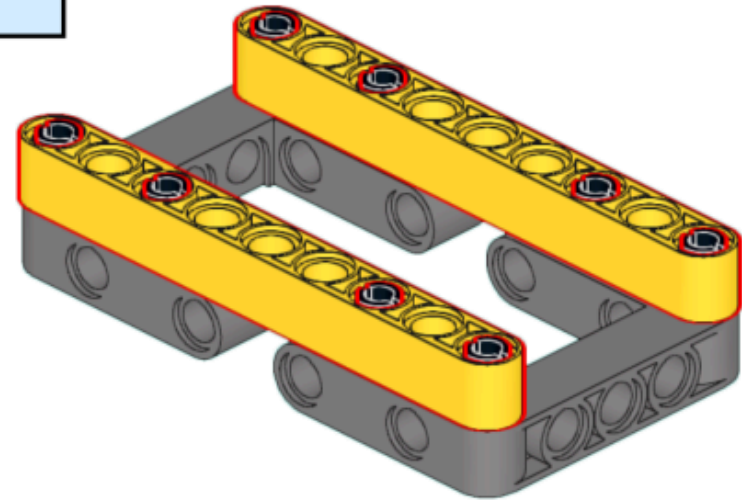
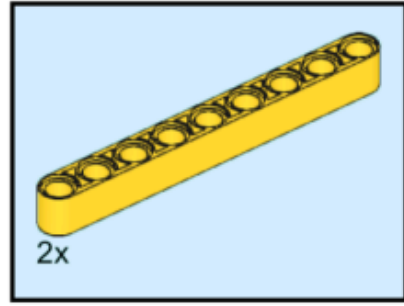
1



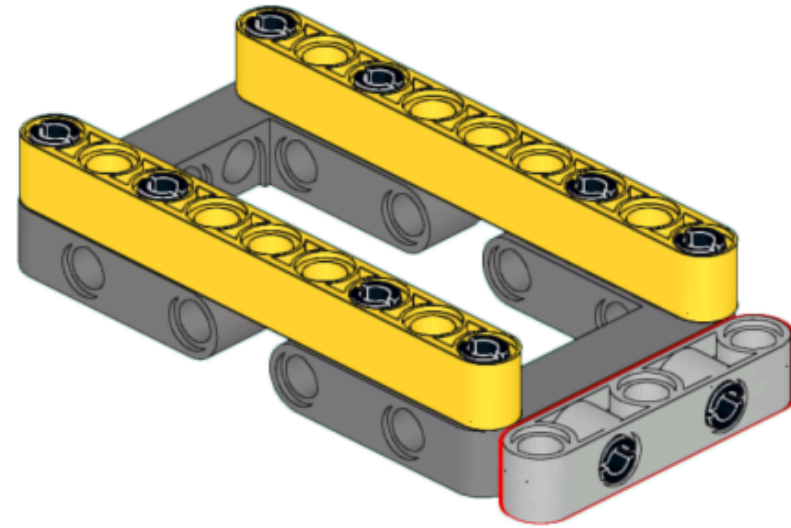
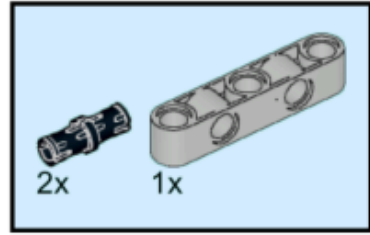
2



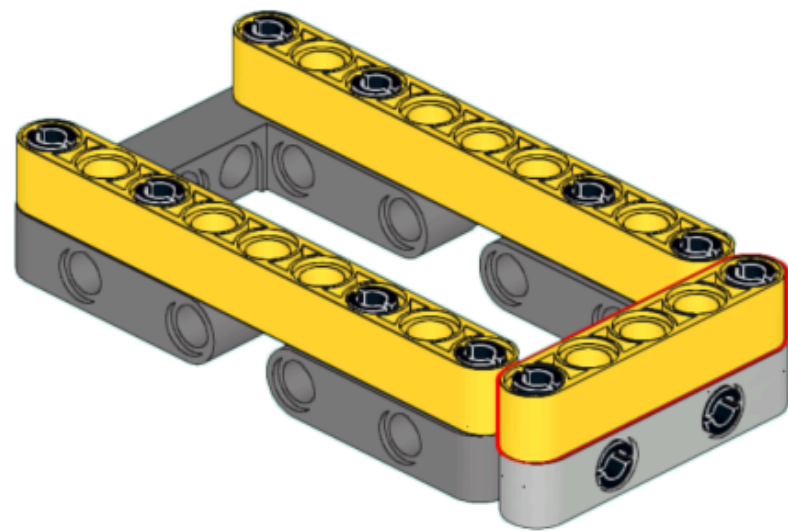
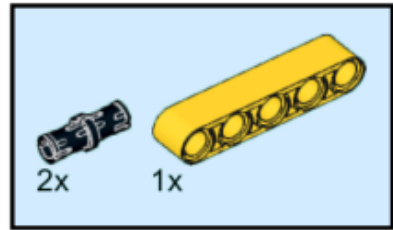
3



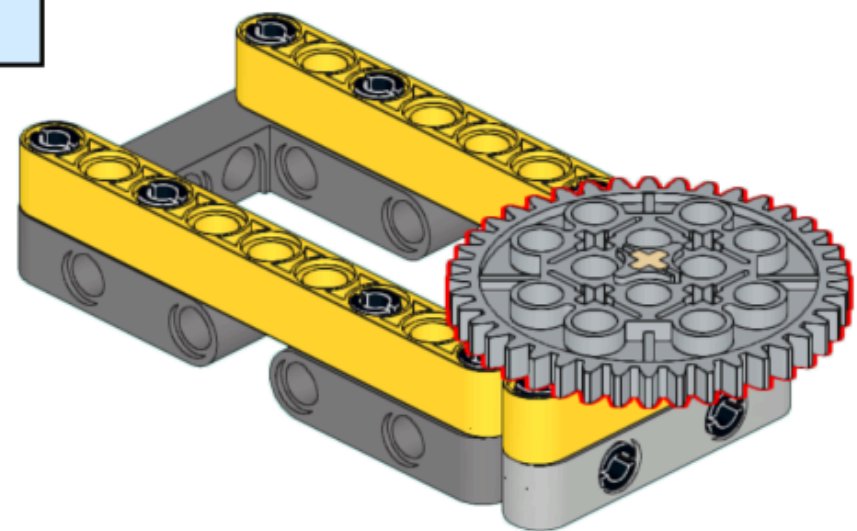
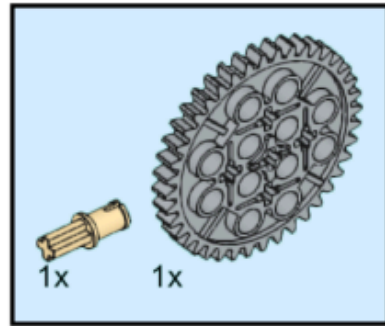
4



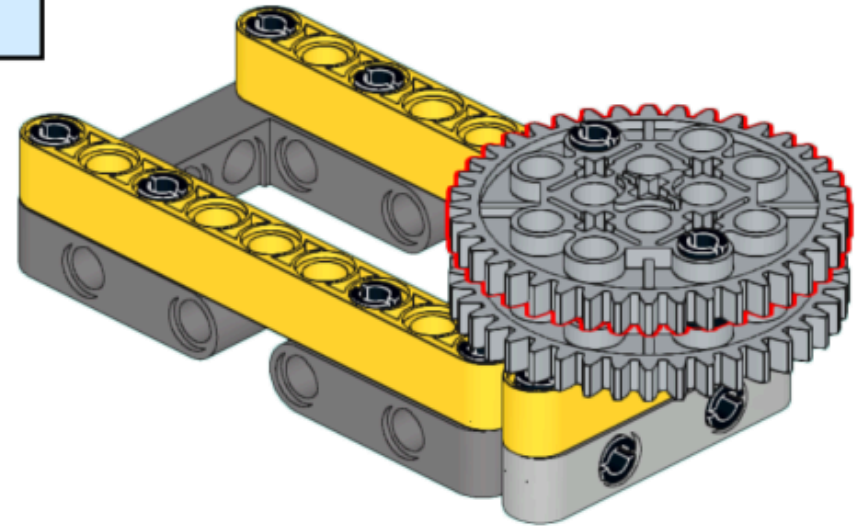
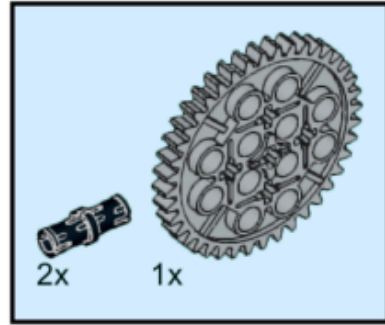
5



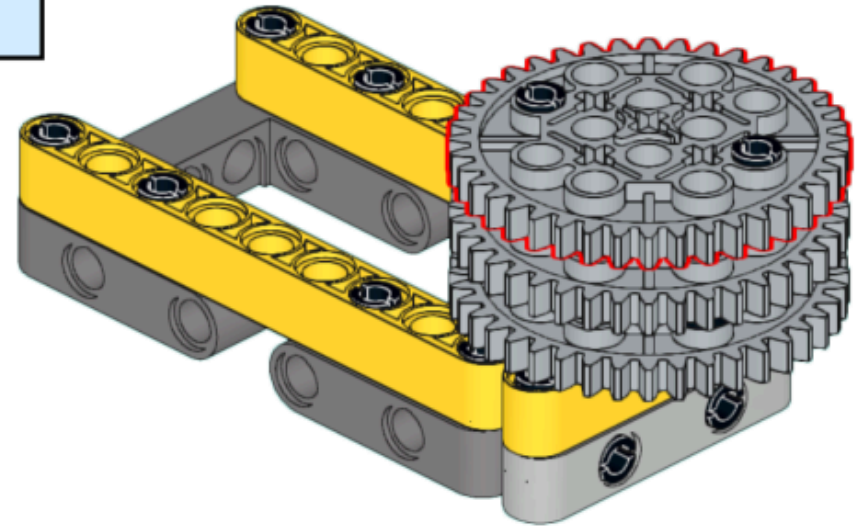
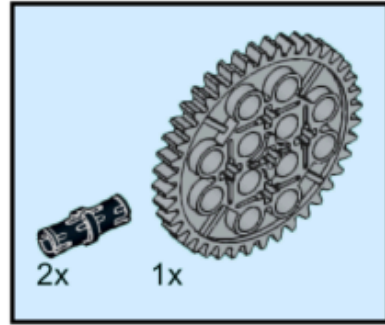
6



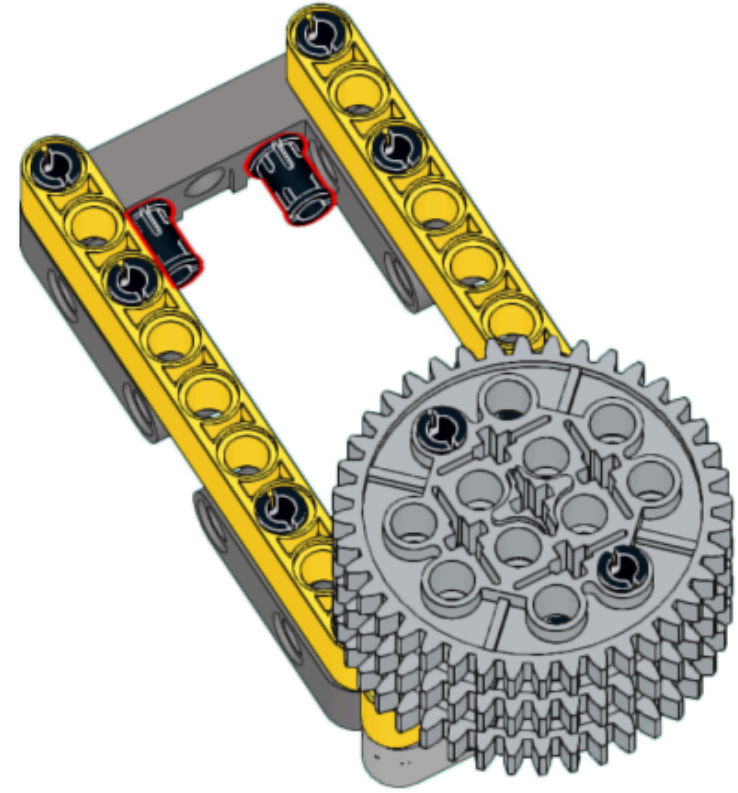
7



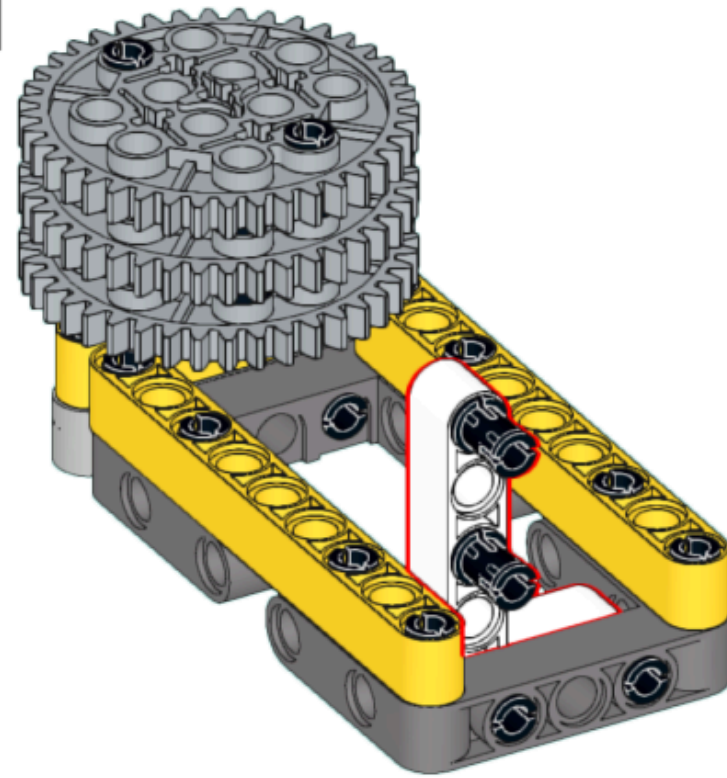
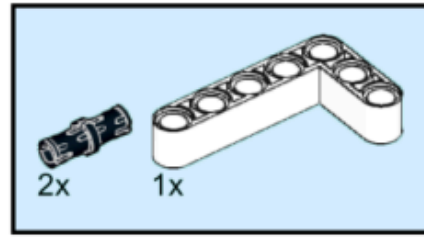
8



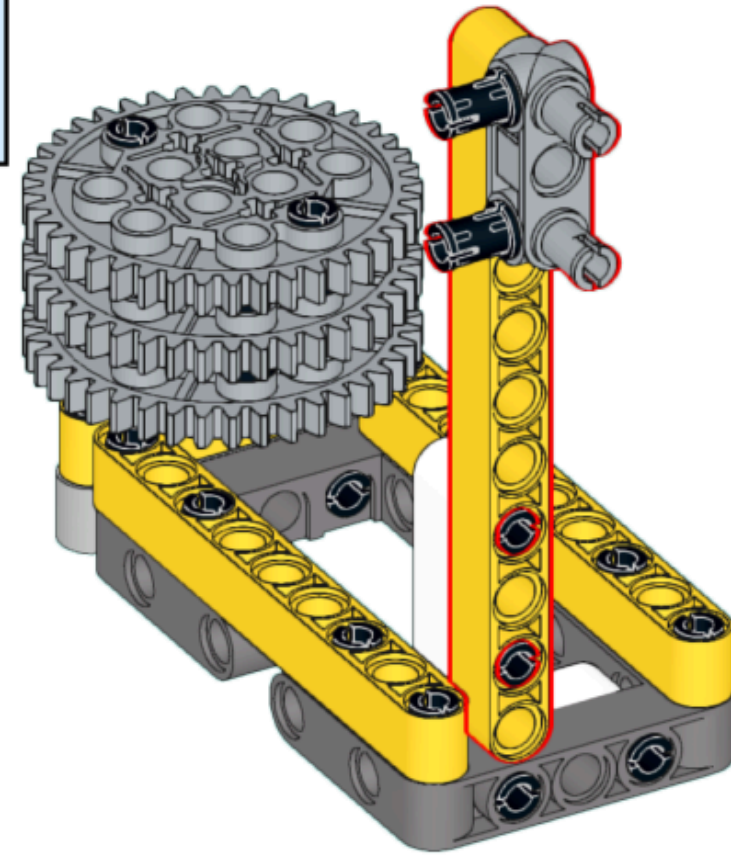
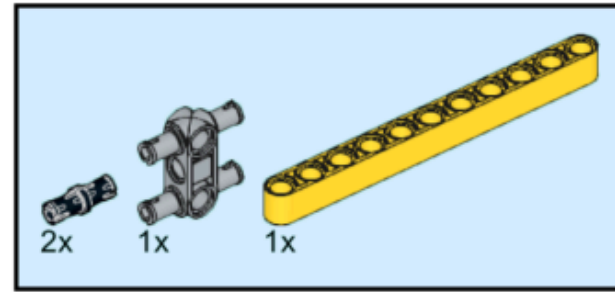
9



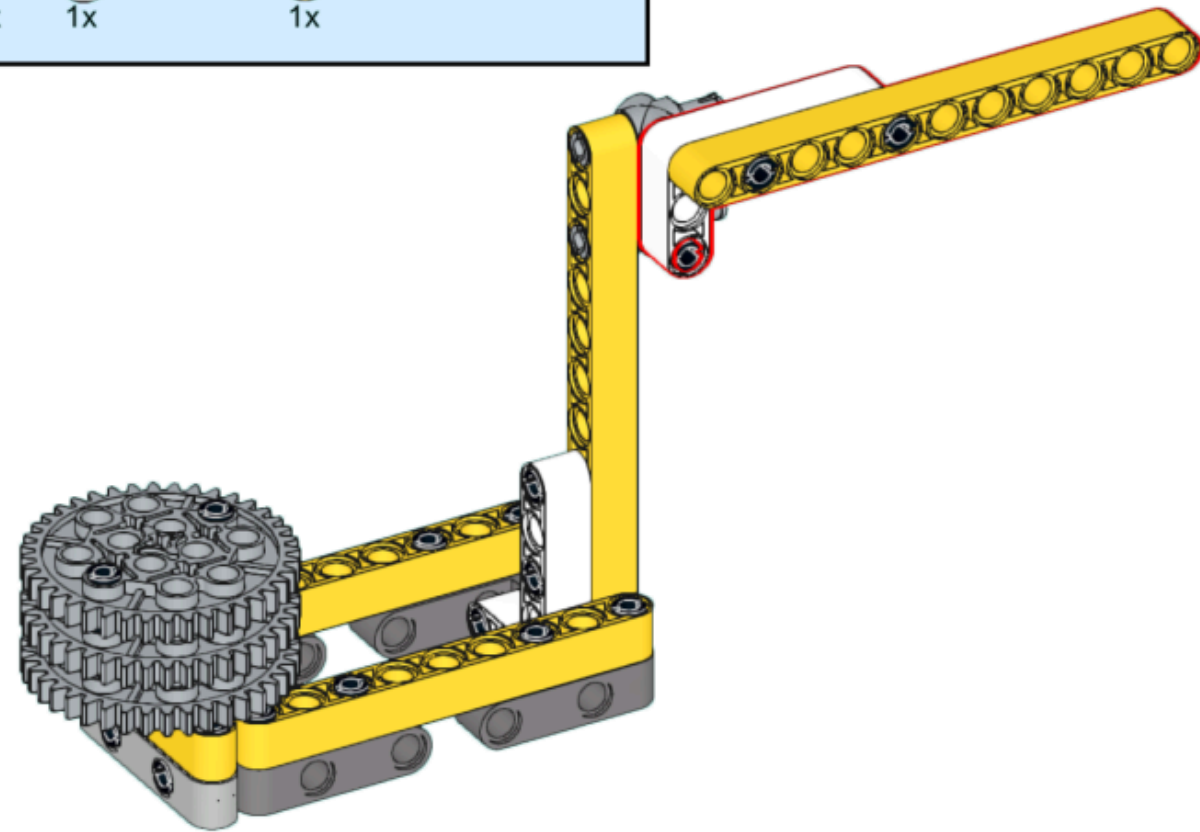
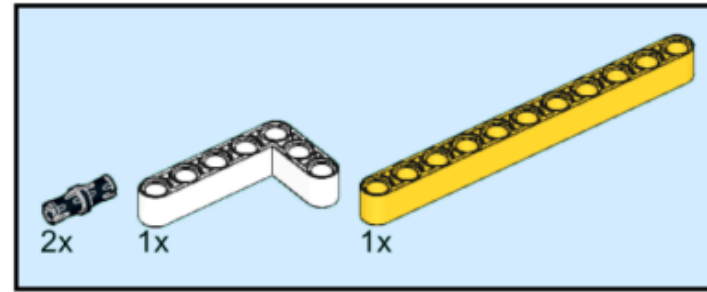
10



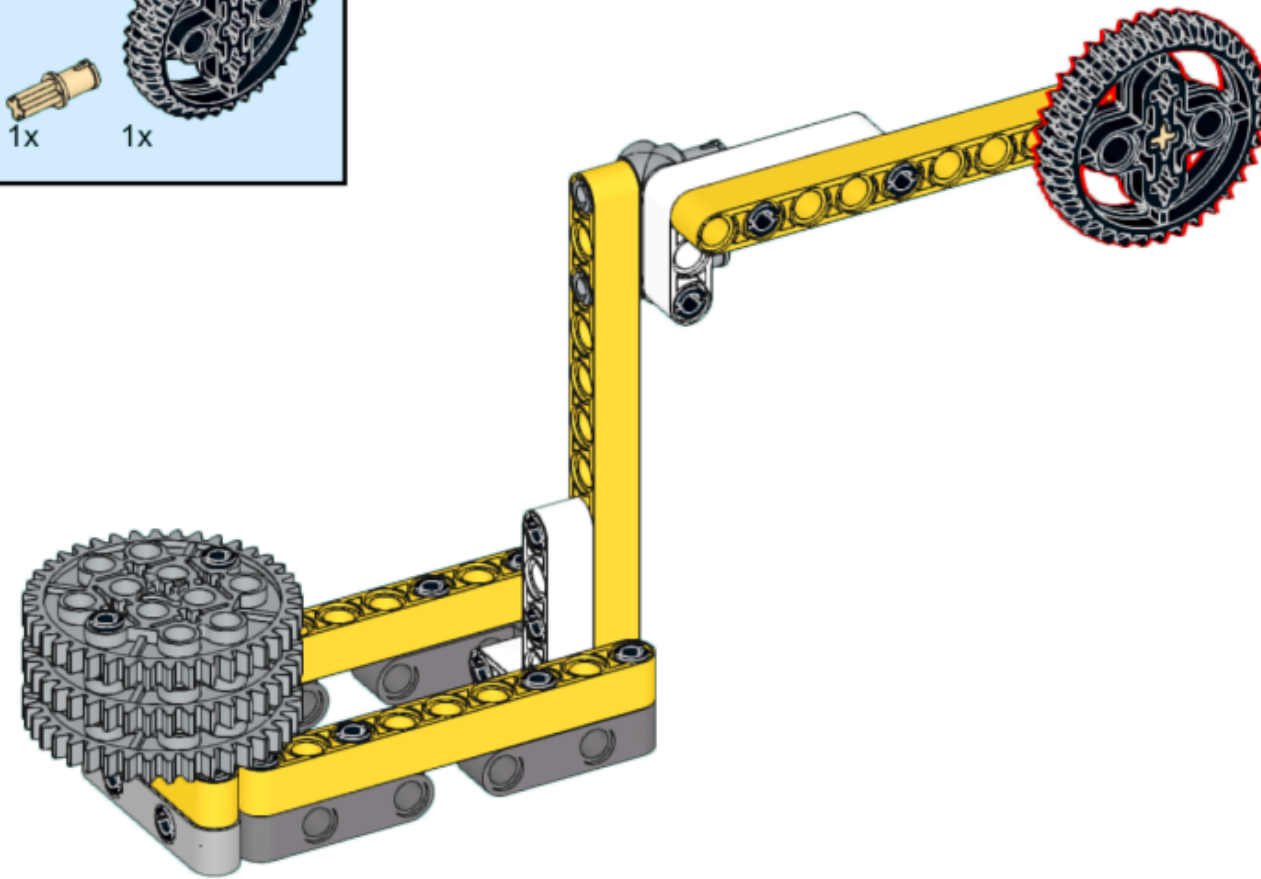
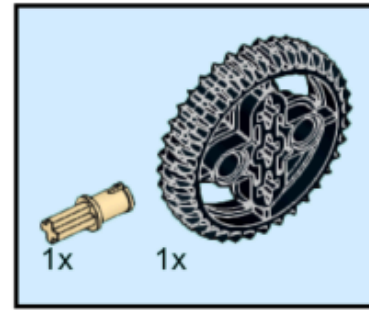
11



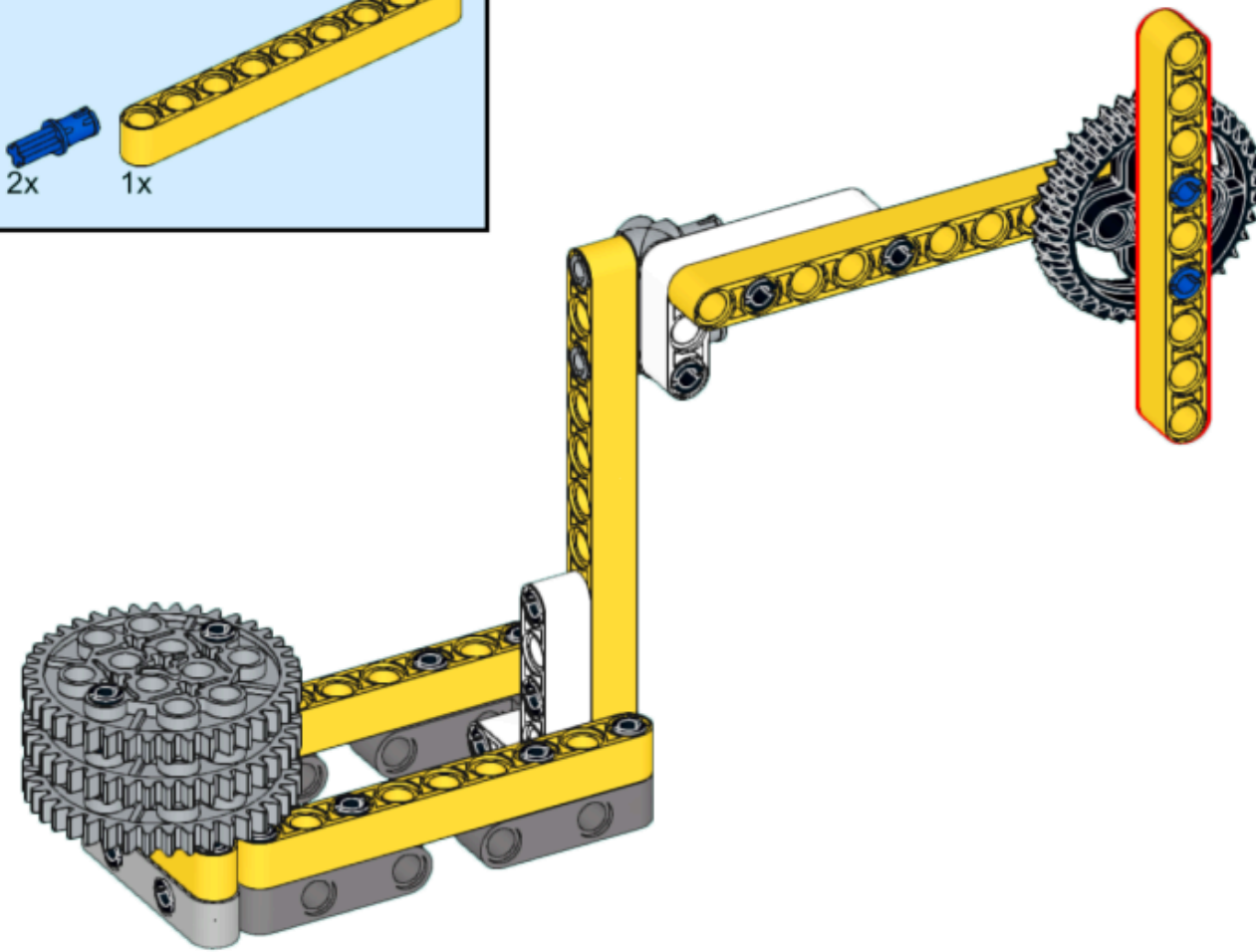
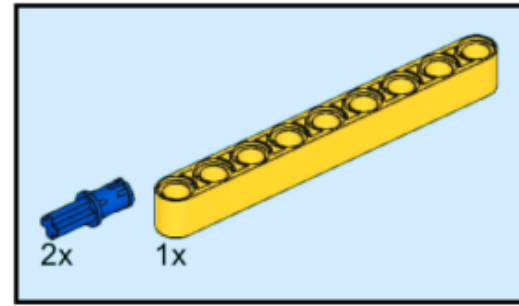
12



13



14



15

